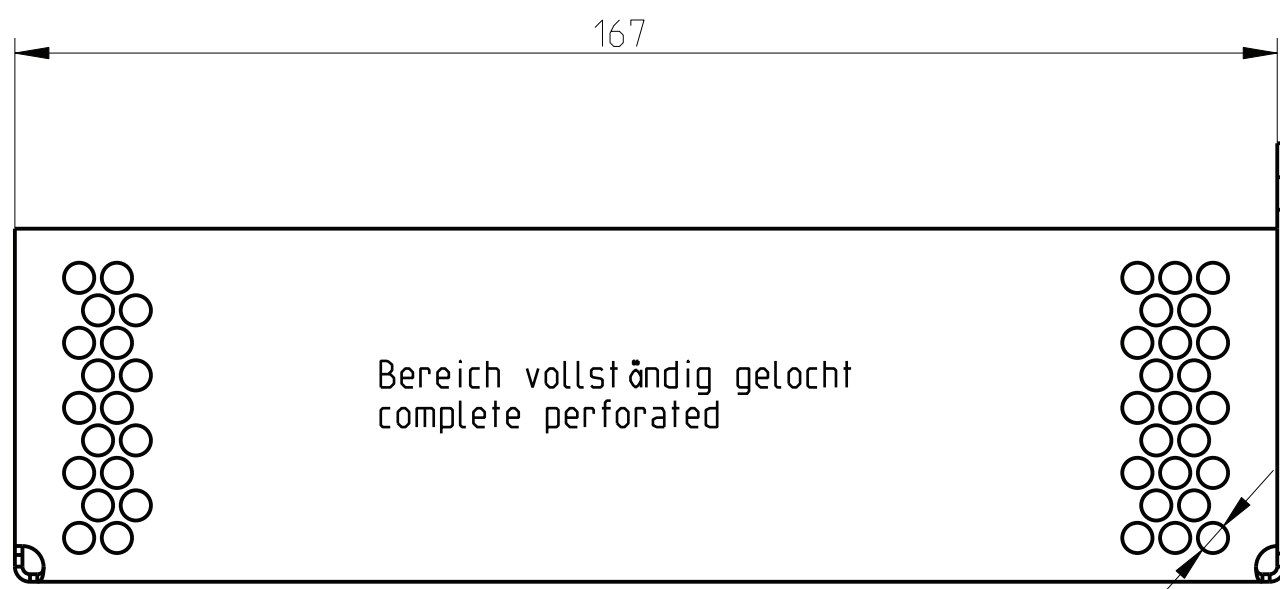
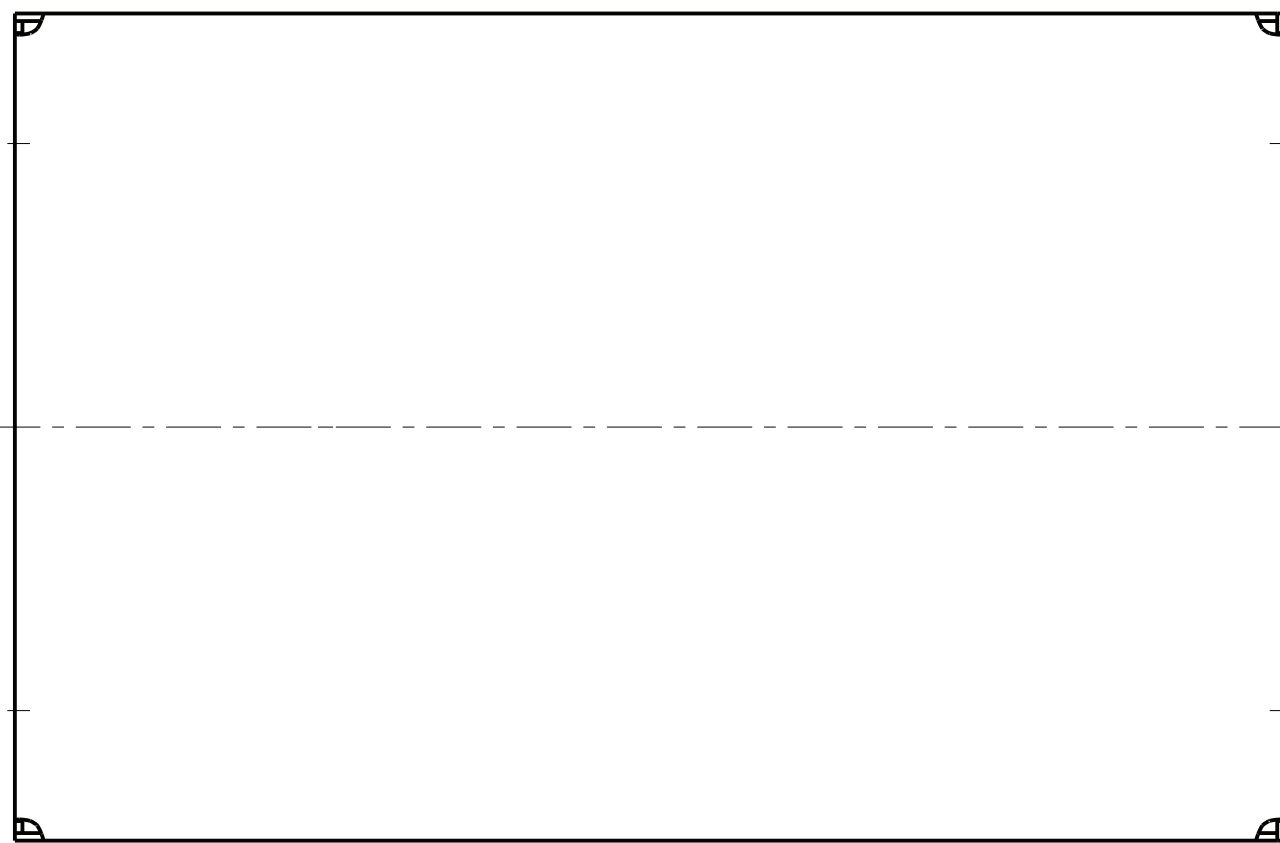
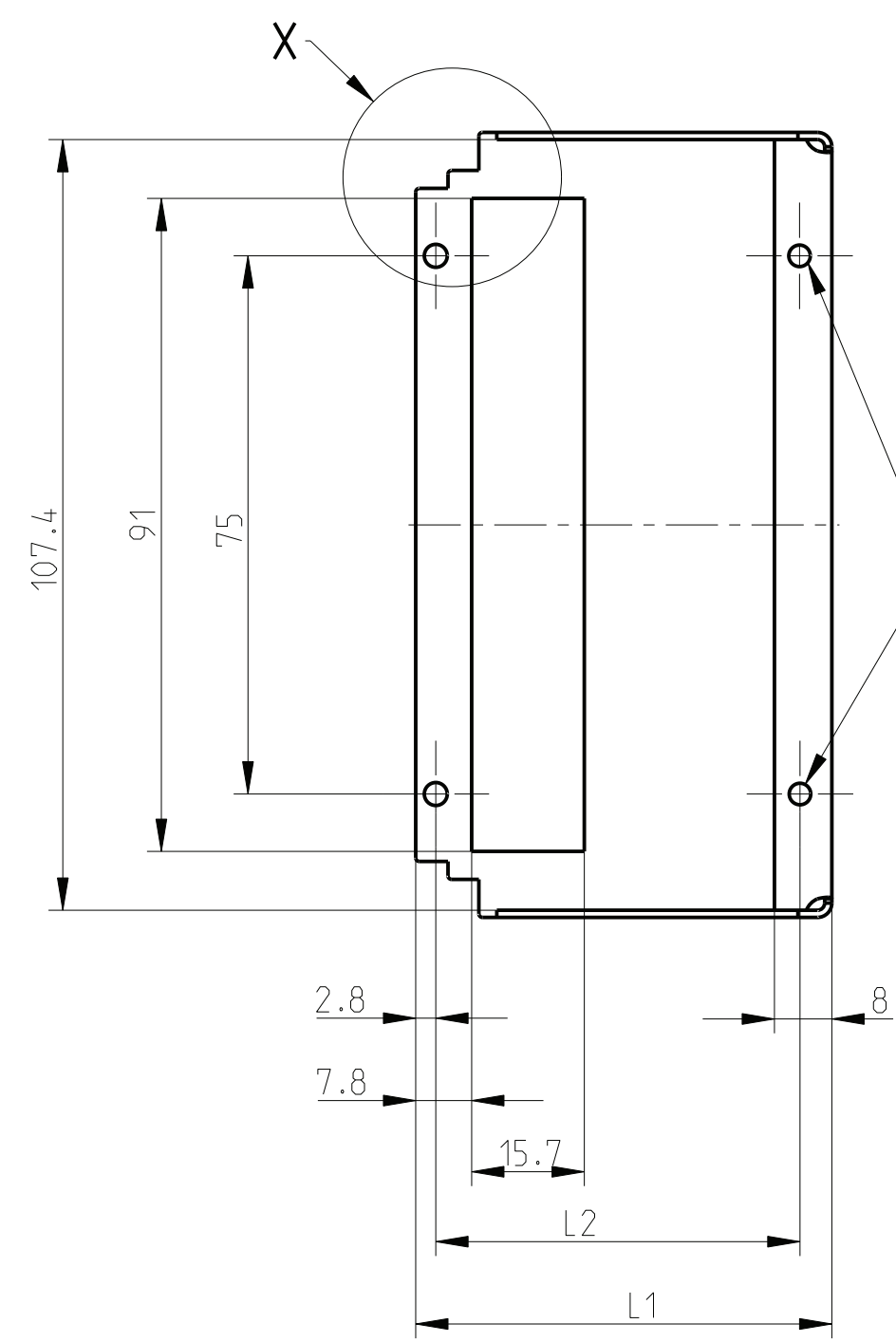


gezeichnete Ausführung Z.-Nr.:12
 Drawn version dwg No 12

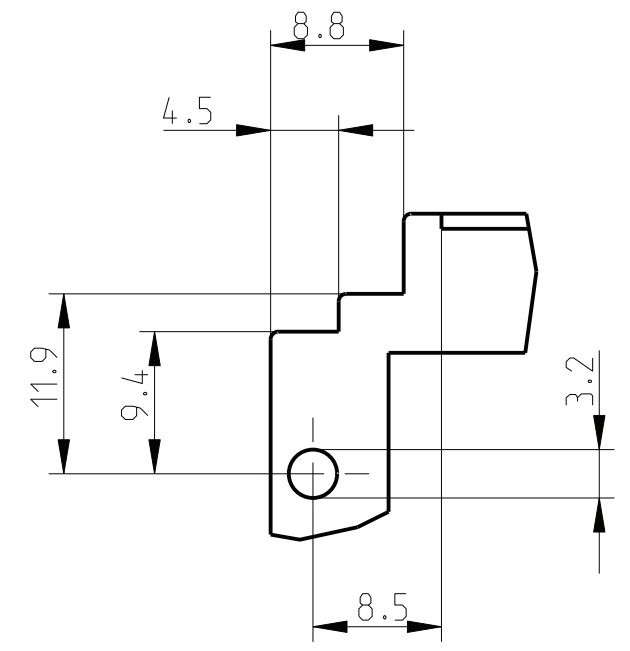


Ø4



Einpressmutter M3
 Inseert Nut M3

X
 2.000



The reproduction, distribution and utilization of this document as well as the communication of its contents to others without explicit authorization of the copyright holder is prohibited. All rights reserved in the event of the grant of a patent, utility model or design.

- 1) matt gebeizt, farblos chromatiert
clear chromated
- 2) Standardprodukt: alle weiteren Typen auf Anfrage
Standard product: all other types on request
- 3) Technische Aenderungen vorbehalten
Subject to change without notice
- 4) fuer 160 mm Leiterplattentiefe / Frontplattenbefestigung
for 160mm pcb depth /front plate fastening

Dieses Bauteil unterliegt den Reglementierungen der RoHS Richtlinie und deren Umsetzung im ElektroG).

This component is subject to the RoHS directive and its applications within the Electrical and Electronic Equipment Act (ElektroG).

Art.Nr.	Zeichnungs Nr.	L1	L2
2) 3685770	226 215.0228.06	27.52	20.28
2) 3685650	226 215.0228.07	32.60	25.36
2) 3685772	226 215.0228.08	37.70	30.44
2) 3685651	226 215.0228.10	47.80	40.60
2) 3685652	226 215.0228.12	58.00	50.76
2) 3685653	226 215.0228.14	68.16	60.92
	226 215.0228.21	103.72	96.48

	Toleranzen tolerances	Oberfläche surface 1)	Maßstab/scale 1:1	
			Aluminium	
		Date 24.04.06	Abdeckhaube gel. 3HE f.LP160mm Cover perforated 3U f.PCB160mm	
		Name FroS		
		Prf. Schaffer	Typ: Steckblock Type: box type plug-in-unit	
a	HT0120	27.05.13		
Rev.	Rev no.	Date	Name	
HEITEC			226 215.0228.06-21 MB a	
				1 Blätter sheets Blatt sheet 1

CAD