



### Features

- Industrial Display
- Flat front panel touch screen
- Fanless design
- Wide range DC 9~36V power input
- IP66 compliant front panel
- VGA/DVI-D/HDMI/DP input
- System power LED light
- High Brightness LCD and Auto Dimming for option
- Support protective AR glass for option (non-touch version)

### Specifications

| I/O Port             |   |
|----------------------|---|
| VGA                  | 1 x VGA   |
| DVI                  | 1 x DVI-D (share with HDMI)   |
| DP                   | 1 x DP  |
| HDMI                 | 1 x HDMI (share with DVI-D)   |
| Audio                | 1 x Audio line-in phone jack  |
| OSD Control Membrane | OSD at rear side  |
| Power                | 1 x 3-pin terminal block for DC 9~36V power input   |
| Others               | 1 x USB type B for touch control<br>Optional I/O:<br>1 x Speaker<br>1 x RS-232 DB-9 for touch control |

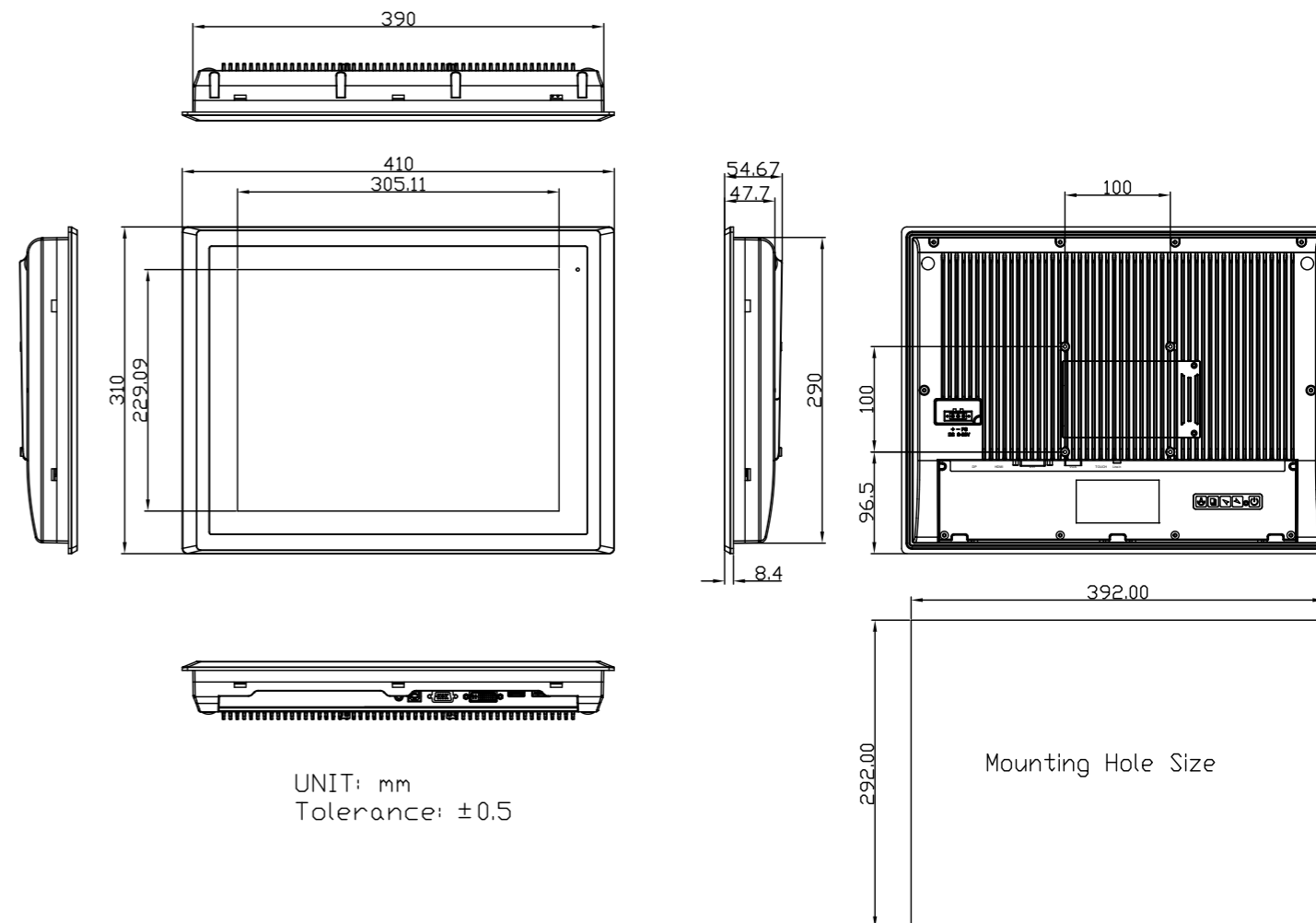
| Display                        | Standard        | High Brightness Optional |
|--------------------------------|-----------------|--------------------------|
| Display Type                   | 15" TFT-LCD     | 15" TFT-LCD              |
| Max. Resolution                | 1024 x 768      | 1024 x 768               |
| Max. Color                     | 16.2M           | 16.7M                    |
| Luminance (cd/m <sup>2</sup> ) | 300             | 1000                     |
| View Angle                     | 176(H) / 176(V) | 176(H) / 176(V)          |
| Contrast                       | 2000:1          | 1000:1                   |
| Backlight Lifetime             | 70,000 hrs      | 70,000 hrs               |

| Touch Screen          |   |
|-----------------------|---|
| Type                  | Resistive Touch (for AR Model)<br>Projected Capacitive Touch (for AP Model)<br>Glass (for AG model) |
| Interface             | USB default (Resistive / Projected Capacitive Touch)<br>RS-232 Option (Resistive Touch)             |
| Light Transmission(%) | Resistive Touch : over 80%<br>Projected Capacitive Touch : over 90%                                 |

| Power             |                        |
|-------------------|------------------------|
| Power Input       | DC 9~36V               |
| Power Consumption | ARCDIS-115AP: 9W (MAX) |

| Mechanical         |                                    |
|--------------------|------------------------------------|
| Construction       | Aluminum Die-casting Chassis       |
| Mounting           | Panel Mount / VESA Mount 100 x 100 |
| IP Rating          | IP66 Compliant Front Panel         |
| Dimensions (WxHxD) | 410 x 310 x 54.67 mm               |
| Net Weight         | 4.3 kg                             |

### Dimensions



| Environmental         |                                  |
|-----------------------|----------------------------------|
| Operating Temperature | 0~50°C / -20~60°C for option     |
| Storage Temperature   | -30~70°C                         |
| Humidity              | 10 to 95% @ 40°C, non-condensing |
| Certificate           | CE/FCC, Class A                  |

| Ordering Information |   |
|----------------------|---|
| ARCDIS-115AR         | 15" XGA FPD Industrial display, Resistive touch window, VGA, DVI, HDMI, and DP input, 5 keys Rear OSD, DC 9~36V power input with adapter, Aluminum Diecasting Chassis             |
| ARCDIS-115AP         | 15" XGA FPD Industrial display, Projected Capacitive touch screen, VGA, DVI, HDMI, and DP input, 5 keys Rear OSD, DC 9~36V power input with adapter, Aluminum Die-casting Chassis |