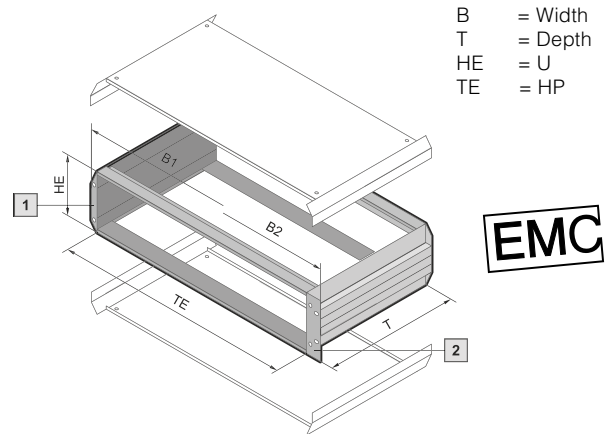


HeiPac Vario-Module

HeiPac Vario-Module 2 U, EMC



Technical specifications

Optionally for use as an instrument case or rack-mount enclosure. External dimensions according to IEC 60 297-3 for installation in enclosures, 482.6 mm (19"). Installation dimensions for plug-in units according to IEC 60 297-3-101.

Protection category

IP 40 for non-vented version.

Supply includes

- 2 side panels
- 4 horizontal rails
- 4 threaded inserts
- 2 corner trims
- Assembly parts

- 1** Equipped as an instrument case
- 2** Equipped as a rack-mount enclosure

Material/surface finish

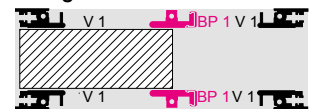
- Side panels: Extruded aluminium section, spray-finished in RAL 7035
- Horizontal rail: Extruded aluminium section, clear-chromated
- Corner trims: Extruded aluminium section, spray-finished in RAL 7035
- Contact points: conductive

Note

Corner trims, mounting flanges and top/bottom covers have to be ordered separately.

Horizontal rails for additional installations have to be ordered separately, see pages 130

Exemplary horizontal rail configuration



2 U

	Packs of	2 U						Page
Installation width (HP)		42	42	63	63	84	84	
Width (B1) mm		235.6	235.6	342.3	342.3	449.0	449.0	
Width (B2) mm		251.6	251.6	358.3	358.3	465.1	465.1	
Depth (T) mm		250.4	310.4	250.4	310.4	250.4	310.4	
Mod.No. VM basic case EMC	1	3983.000	3983.020	3983.290	3983.300	3983.010	3983.030	
Also required								
Top cover								
- with vent holes	1	3981.941	3981.951	3981.942	3981.952	3981.940	3981.950	107
- without vent holes	1	3981.901	3981.911	3981.902	3981.912	3981.900	3981.910	107
Bottom covers								
- with vent holes	1	3981.741	3981.751	3981.742	3981.752	3981.740	3981.750	107
- without vent holes	1	3981.701	3981.711	3981.702	3981.712	3981.700	3981.710	107
Corner trims for assembly as instrument case	2	3981.300	3981.300	3981.300	3981.300	3981.300	3981.300	109
Flanges for configuration as rack-mount enclosure								
- without handle holes	2	3981.200	3981.200	3981.200	3981.200	3981.200	3981.200	108
EMC installation								
EMC gaskets, horizontal - for upper/lower horizontal rail	1	3684.808	3684.808	3684.808	3684.808	3684.808	3684.808	145
- between covers and horizontal rails	10	3684.245	3684.245	3684.245	3684.245	3684.245	3684.245	147
EMC gaskets, vertical	1	3686.974	3686.974	3686.974	3686.974	3686.974	3686.974	111
Front/rear panels EMC	see page 110 - 111							
Accessories								
Rear adjustable feet	4	3901.000	3901.000	3901.000	3901.000	3901.000	3901.000	109

Other customised solutions regarding dimensions and colouring are available upon request. Please get in contact with one of our sales representatives for further assistance: Tel. +49 9126 - 29 34 0