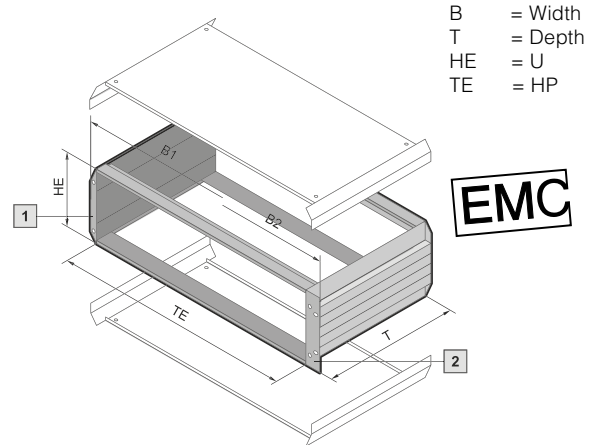


HeiPac Vario-Module

HeiPac Vario-Module 3 U, EMC



Technical specifications

Optionally for use as an instrument case or rack-mount enclosure. External dimensions according to IEC 60 297-3 for installation in enclosures, 482.6 mm (19"). Installation dimensions for plug-in units according to IEC 60 297-3-101.

Protection category

IP 40 for non-vented version.

Supply includes

- 2 side panels
- 4 horizontal rails
- 4 threaded inserts
- 2 corner trims
- Assembly parts

- 1** Equipped as an instrument case
- 2** Equipped as a rack-mount enclosure

Material/surface finish

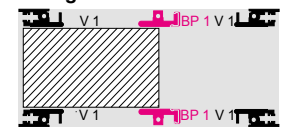
- Side panels: Extruded aluminium section, spray-finished in RAL 7035
- Horizontal rail: Extruded aluminium section, clear-chromated
- Corner trims: Extruded aluminium section, spray-finished in RAL 7035
- Contact points: conductive

Note

Corner trims, mounting flanges and top/bottom covers have to be ordered separately.

Horizontal rails for additional installations have to be ordered separately, see pages 130

Exemplary horizontal rail configuration



3 U

	Packs of	3 U							Page
		42	42	63	63	84	84	84	
Installation width (HP)									
Width (B1) mm		235.6	235.6	342.3	342.3	449.0	449.0	449.0	
Width (B2) mm		251.6	251.6	358.3	358.3	465.1	465.1	465.1	
Depth (T) mm		250.4	310.4	250.4	310.4	250.4	310.4	370.4	
Mod.No. VM basic case EMC	1	3983.040	3983.070	3983.050	3983.080	3983.060	3983.090	3983.100	
Also required									
Top covers									
- with vent holes	1	3981.941	3981.951	3981.942	3981.952	3981.940	3981.950	3981.960	107
- without vent holes	1	3981.901	3981.911	3981.902	3981.912	3981.900	3981.910	3981.920	107
Bottom covers									
- with vent holes	1	3981.741	3981.751	3981.742	3981.752	3981.740	3981.750	3981.760	107
- without vent holes	1	3981.701	3981.711	3981.702	3981.712	3981.700	3981.710	3981.720	107
Front corner trims for assembly as instrument case	2	3981.310	3981.310	3981.310	3981.310	3981.310	3981.310	3981.310	109
Flanges for configuration as rack-mount system									
- without handle holes	2	3981.210	3981.210	3981.210	3981.210	3981.210	3981.210	3981.210	108
- with handle holes	2	3981.260	3981.260	3981.260	3981.260	3981.260	3981.260	3981.260	
EMC installation									
EMC gaskets, horizontal									
- for upper/lower horizontal rail	1	3684.808	3684.808	3684.808	3684.808	3684.808	3684.808	3684.808	145
- between covers and horizontal rails	10	3684.245	3684.245	3684.245	3684.245	3684.245	3684.245	3684.245	147
EMC gaskets, vertical	1	3686.975	3686.975	3686.975	3686.975	3686.975	3686.975	3686.975	111
Front/rear panels EMC	see page 110 - 111								
Accessories									
Carrying handles	2	3981.350	3981.360	3981.350	3981.360	3981.350	3981.360	3981.370	109
Front handles ¹⁾	2	3636.010	3636.010	3636.010	3636.010	3636.010	3636.010	3636.010	57
Rear adjustable feet	4	3901.000	3901.000	3901.000	3901.000	3901.000	3901.000	3901.000	109

¹⁾ Only in conjunction with mounting flanges with handle holes.

Other customised solutions regarding dimensions and colouring are available upon request. Please get in contact with one of our sales representatives for further assistance: Tel. +49 9126 - 29 34 0