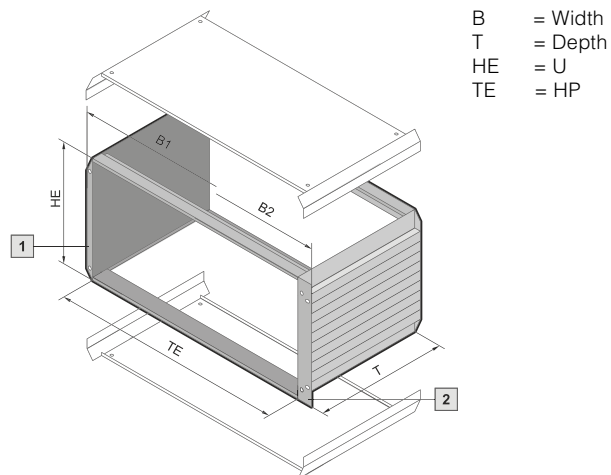


INSTRUMENT CASES AND SYSTEM ENCLOSURES

HeiPac Vario-Module

HeiPac Vario-Module 4 U, 6 U, 7 U



B = Width
T = Depth
HE = U
TE = HP

Technical specifications

Optionally for use as an instrument case or rack-mount enclosure. External dimensions according to IEC 60 297-3 for installation in enclosures, 482.6 mm (19"). Installation dimensions for plug-in units according to IEC 60 297-3-101.

Protection category

IP 40 for non-vented version.

Supply includes

2 side panels
4 horizontal rails
4 threaded inserts
2 corner trims
Assembly parts
2 side trims centre

- 1 Equipped as an instrument case
- 2 Equipped as a rack-mount enclosure

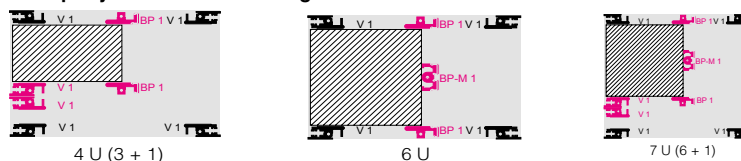
Material/Surface finish

Side panels: Extruded aluminium section, spray-finished in RAL 7035
Horizontal rail: Extruded aluminium section, clear-chromated
Corner trims: Extruded aluminium section, spray-finished in RAL 7035
Side trims centre: Extruded aluminium section, spray-finished in RAL 7035

Note

Corner trims, mounting flanges and top/bottom covers have to be ordered separately.

Exemplary horizontal rail configuration



Horizontal rails for additional installations have to be ordered separately, see pages 130

	Packs of	4 U (3 + 1)			6 U			7 U		Page
Installation width (HP)		84	84	84	84	84	84	84	84	
Width (B1) mm		449.0	449.0	449.0	449.0	449.0	449.0	449.0	449.0	
Width (B2) mm		465.1	465.1	465.1	465.1	465.1	465.1	465.1	465.1	
Depth (T) mm		250.4	310.4	370.4	310.4	370.4	430.4	310.4	430.4	
Mod.No. VM basic case	1	3982.110	3982.120	3982.130	3982.140	3982.150	3982.160	3982.170	3982.190	
Also required										
Top covers										
- with vent holes	1	3982.940	3982.950	3982.960	3982.950	3982.960	3982.970	3982.950	3982.970	107
- without vent holes	1	3982.900	3982.910	3982.920	3982.910	3982.920	3982.930	3982.910	3982.930	107
Bottom covers										
- with vent holes	1	3982.740	3982.750	3982.760	3982.750	3982.760	3982.770	3982.750	3982.770	107
- without vent holes	1	3982.700	3982.710	3982.720	3982.710	3982.720	3982.730	3982.710	3982.730	107
Front corner trims for assembly as instrument case	2	3981.320	3981.320	3981.320	3981.330	3981.330	3981.330	3981.340	3981.340	109
Flanges for configuration as rack-mount system										
- without handle holes	2	3981.220	3981.220	3981.220	3981.230	3981.230	3981.230	3981.240	3981.240	108
- with handle holes	2	3981.270	3981.270	3981.270	3981.280	3981.280	3981.280	3981.290	3981.290	108
Accessories										
Front/rear panels	see page 110 - 111									
Carrying handles	2	3981.350	3981.360	3981.370	3981.360	3981.370	3981.380	3981.360	3981.380	109
Front handles ¹⁾	2	3636.010	3636.010	3636.010	3666.010	3666.010	3666.010	3666.010	3666.010	57
Rear adjustable feet	4	3901.000	3901.000	3901.000	3901.000	3901.000	3901.000	3901.000	3901.000	109

¹⁾ Only in conjunction with mounting flanges with handle holes.

Other customised solutions regarding dimensions and colouring are available upon request. Please get in contact with one of our sales representatives for further assistance: Tel. +49 9126 - 29 34 0