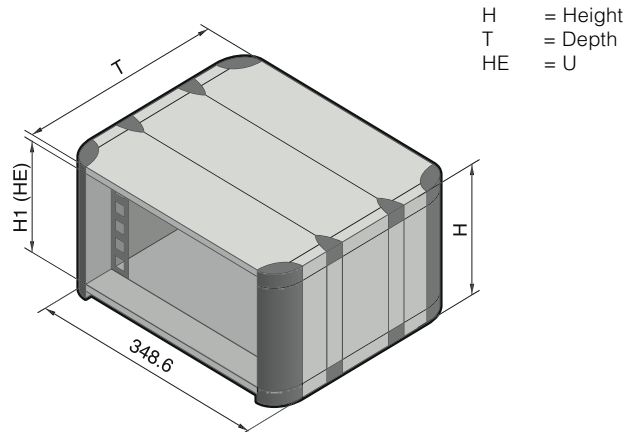


HeiCase 1/2 19"



Technical specifications

Depth: 300 mm, 420mm, 540 mm
 Installation width: 269,2 mm (1/2 19")
 Installation options: 269,2 mm (1/2 19")-slide-in equipment to 60 297-3

Protection category

IP 42 for unvented version

Supply includes

- 2 side panels
 - 2 covers
 - 8 corner caps
 - 8/12/16 cover caps (300/420/540 mm depth)
 - 4 19" mounting brackets
 - 4 threaded inserts
 - 2 plain inserts,
 - 1 rear panel
- Cases are supplied preassembled

Colour

RAL 7035 (pale grey)

Decorative colours and corner caps

- RAL 5018 (turquoise)
- RAL 5012 (pale blue)
- RAL 7030 (stone grey)

Material/surface finish

- Covers: Extruded aluminium section/die-cast, spray-finished
- Side panels: Extruded aluminium section, spray-finished
- Corner caps: Plastic
- (19") mounting bracket: Extruded aluminium section, clear-chromated

Property rights

- German registered design no. 96 09 457
- UK reg. design no. 2064682
- US design patents
- Des. 402,640 and Des. 423,464
- Japan. reg. designs no. 1045507 and 1045508

Enclosures for subrack width 269,2 mm (1/2 19")	Packs of	1 U		2 U		3 U			4 U		Page
Height (H) mm		77.5	77.5	121.9	121.9	166.4	166.4	166.4	210.8	210.8	
H1 mm		45.0	45.0	89.4	89.4	133.8	133.8	133.8	178.3	178.3	
Depth (T) mm		300.0	420.0	300.0	540.0	300.0	420.0	540.0	420.0	540.0	
Unvented											
Order No. RAL 5018	1	3750.100	-	3750.200	-	3750.210	3750.300	-	3750.400	-	
Order No. RAL 5012	1	3750.102	-	3750.202	-	3750.212	3750.302	-	3750.402	-	
Order No. RAL 7030	1	3750.104	-	3750.204	-	3750.214	3750.304	-	3750.404	-	
Vented											
Order No. RAL 5018	1	-	3750.110	-	3750.220	-	3750.350	3750.360	-	3750.450	
Order No. RAL 5012	1	-	3750.112	-	3750.222	-	3750.352	3750.362	-	3750.452	
Order No. RAL 7030	1	-	3750.114	-	3750.224	-	3750.354	3750.364	-	3750.454	
Weight (kg)	vented/		3.3	4.2	3.7	5.4	4.1	5.2	6.1	5.8	6.8
	unvented		3.4	4.4	3.8	6.1	4.2	5.4	6.8	6.0	7.5
Accessories											
Support stand/carrying handle	1	see page 120									
Carrying handles, horizontal	2	3751.250	3751.260	3751.250	3751.270	3751.250	3751.260	3751.270	3751.260	3751.270	118
Back panel screw-fastened	1	-	-	-	-	9918.119	9918.119	9918.119	9918.120	9918.120	121
Front door, vertically hinged	1	-	-	-	-	3751.300	3751.300	3751.300	3751.310	3751.310	119
Slide rails	2	3751.500	3751.510	3751.500	3751.520	3751.500	3751.510	3751.520	3751.510	3751.520	116
Mounting angles 19"	2	3751.650	3751.650	3751.660	3751.660	3751.670	3751.670	3751.670	3751.680	3751.680	116
Threaded inserts with M4 thread	8	3751.700	3751.700	3751.710	3751.710	3751.720	3751.720	3751.720	3751.730	3751.730	116
End section	4	-	-	-	-	3751.900	3751.900	3751.900	3751.910	3751.910	118

Other customised solutions regarding dimensions (up to 30 U height and up to 900 mm depth) and colouring are available upon request. Please get in contact with one of our sales representatives for further assistance: Tel. +49 9126 - 29 34 0