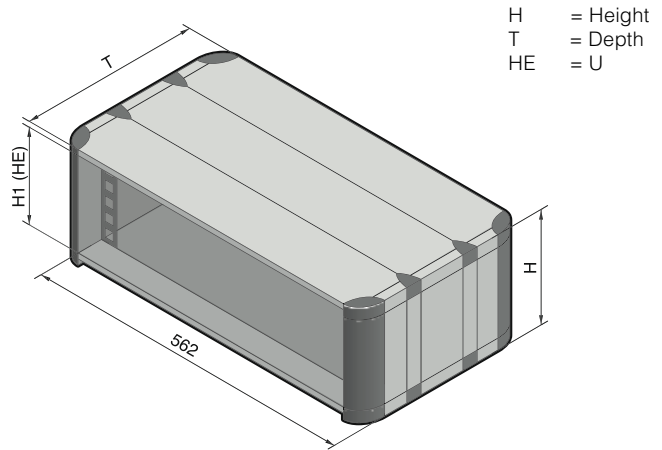
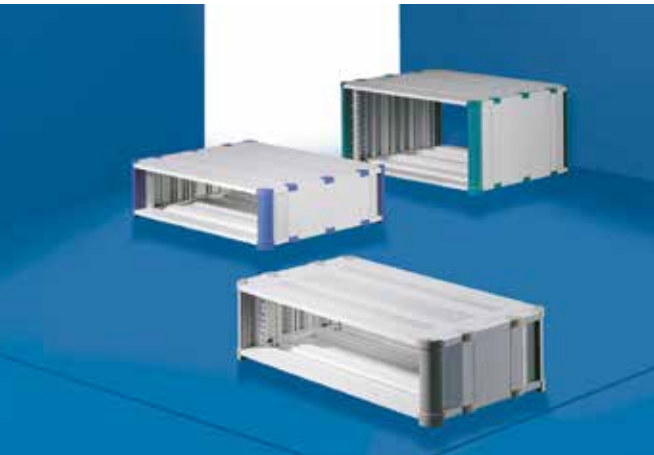


HeiCase 19"



H = Height
T = Depth
HE = U

Technical specifications

Depth: 300 mm, 420mm, 540 mm
Installation width: 482,6 mm (19")
Installation options: 482,6 mm (19")-slide-in equipment to IEC 60 297-3

Protection category

IP 42 for unvented version

Supply includes

2 side panels
2 covers
8 corner caps
8/12/16 cover caps
(300/420/540 mm depth)
4 19" mounting brackets
4 threaded inserts
2 plain inserts
Cases are supplied preassembled

Note

For rear installation, order back panel/door separately.

Colour

RAL 7035 (pale grey)

Decorative colours and corner caps

RAL 5018 (turquoise)
RAL 5012 (pale blue)
RAL 7030 (stone grey)

Material/surface finish

Covers: Extruded aluminium section/die-cast, spray-finished
Side panels: Extruded aluminium section, spray-finished
Corner caps: Plastic
(19") mounting bracket: Extruded aluminium section, clear-chromated

Property rights

German registered design no. 96 09 457
UK reg. design no. 2064682
US design patents
Des. 402,640 and Des. 423,464
Japan. reg. designs no. 1045507 and 1045508

Enclosures for subrack width 19"	Packs of	3 U		4 U		6 U			7 U		9 U		12 U	Page
Height (H) mm		166.4	166.4	210.8	210.8	299.7	299.7	299.7	344.2	344.2	433.1	433.1	566.5	
H1 mm		133.8	133.8	178.3	178.3	267.2	267.2	267.2	311.7	311.7	400.6	400.6	534.0	
Depth (T) mm		300.0	420.0	300.0	420.0	300.0	420.0	540.0	420.0	540.0	420.0	540.0	540.0	
Unvented														
Order No. RAL 5018	1	3750.310	3750.320	3750.410	3750.420	3750.600	3750.610	3750.620	3750.700	3750.710	3750.900	3750.910	3750.000	
Order No. RAL 5012	1	3750.312	3750.322	3750.412	3750.422	3750.602	3750.612	3750.622	3750.702	3750.712	3750.902	3750.912	3750.002	
Order No. RAL 7030	1	3750.314	3750.324	3750.414	3750.424	3750.604	3750.614	3750.624	3750.704	3750.714	3750.904	3750.914	3750.004	
Vented														
Order No. RAL 5018	1	3750.330	3750.340	3750.430	3750.440	3750.630	3750.640	3750.650	3750.720	3750.730	3750.920	3750.930	3750.030	
Order No. RAL 5012	1	3750.332	3750.342	3750.432	3750.442	3750.632	3750.642	3750.652	3750.722	3750.732	3750.922	3750.932	3750.032	
Order No. RAL 7030	1	3750.334	3750.344	3750.434	3750.444	3750.634	3750.644	3750.654	3750.724	3750.734	3750.924	3750.934	3750.034	
Weight (kg)	vented/ unvented	5.3 5.4	6.9 7.1	5.7 7.2	7.5 7.7	6.5 6.6	8.5 8.7	10.8 12.2	9.1 9.3	11.5 12.9	10.1 10.3	12.9 14.3	15.0 16.4	
Accessories														
Support stand/carrying handle	1	see page 120												
Carrying handles, horizontal	2	3751.250	3751.260	3751.250	3751.260	3751.250	3751.260	3751.270	3751.260	3751.270	3751.260	3751.270	3751.270	118
Back panel screw-fastened	1	3751.600	3751.600	3751.610	3751.610	3751.620	3751.620	3751.620	3751.630	3751.630	3751.530	3751.530	3751.540	121
Rear door, vertically hinged	1	3751.100	3751.100	3751.110	3751.110	3751.120	3751.120	3751.120	3751.130	3751.130	-	-	-	121
Rear door for fan installation	1	3751.150	3751.150	3751.160	3751.160	3751.170	3751.170	3751.170	3751.180	3751.180	-	-	-	121
Front door, vertically hinged	1	3751.320	3751.320	3751.330	3751.330	3751.340	3751.340	3751.340	3751.350	3751.350	-	-	-	119
Slide rails	2	3751.500	3751.510	3751.500	3751.510	3751.500	3751.510	3751.520	3751.510	3751.520	3751.510	3751.510	3751.520	116
Mounting angles 19"	2	3751.670	3751.670	3751.680	3751.680	3751.690	3751.690	3751.690	3751.640	3751.640	3751.780	3751.780	3751.790	116
Threaded inserts with M4 thread	8	3751.720	3751.720	3751.730	3751.730	3751.740	3751.740	3751.740	3751.750	3751.750	3751.760	3751.760	3751.770	116
End section	2	3751.900	3751.900	3751.910	3751.910	3751.920	3751.920	3751.920	3751.930	3751.930	3751.820	3751.820	3751.830	118

Other customised solutions regarding dimensions (up to 30 U height and up to 900 mm depth) and colouring are available upon request. Please get in contact with one of our sales representatives for further assistance: [Tel. +49 9126 - 29 34 0](tel:+49912629340)