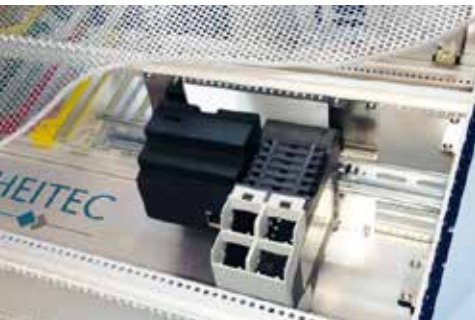


COMPONENTS AND ACCESSORIES

TOP-HAT RAIL MOUNTING

Fixing for HeiPac top-hat rail version 1



NEW

Rail holder to mount a top-hat rail on the horizontal subrack rails

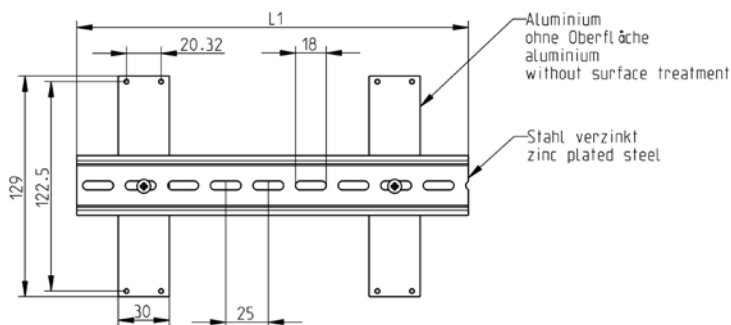
Material

Rail holder: Aluminium, not surface-coated
 Top-hat rail: steel, zinc-plated

Supply includes

2 rail holders
 1 top-hat rail, perforated
 Assembly parts

Height	HS	L1	L2	Packs of	Order No.
3 U	35	100	7.5	1	9918814
3 U	35	200	7.5	1	9918815
3 U	35	300	7.5	1	9918816
3 U	35	400	7.5	1	9918817
3 U	35	100	15	1	9918818
3 U	35	200	15	1	9918819
3 U	35	300	15	1	9918820
3 U	35	400	15	1	9918821



Fixing for HeiPac top-hat rail version 2



NEW

Fixing bracket to mount a top-hat rail on the subrack side panel

Material

Fixing bracket: steel plate, zinc-plated

Supply includes

2 fixing brackets
 Assembly parts

Packs of	Order No.
1 set	3634.770

+ Also required

Top-hat rail, packs of 1, see page 153

