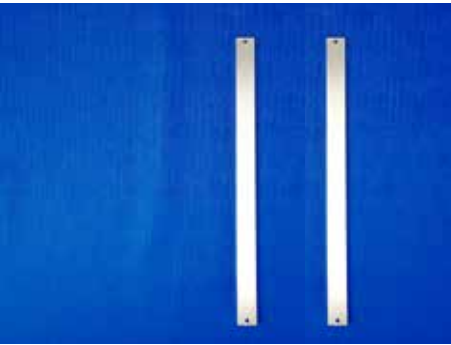


## Front panels for type III extractor handle

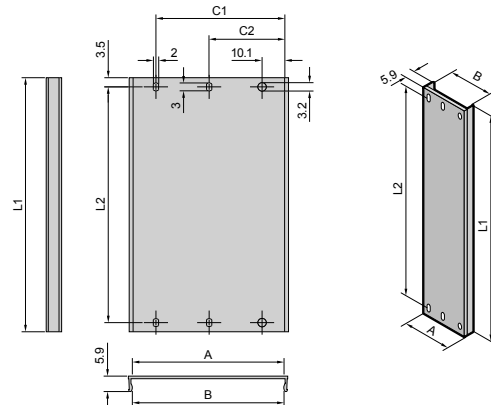


### Material

1,0 mm extruded aluminium section

### Surface finish

Untreated



HP	A mm	B mm	C1 mm	C2 mm	Order No.		
					3 U	6 U	9 U
4	15.20	12.20	-	-	<b>3685.548</b>	<b>3685.555</b>	-
5	20.22	17.20	-	-	<b>3685.549</b>	<b>3685.556</b>	<b>3685.562</b>
6	25.28	22.28	-	22.68	<b>3685.550</b>	<b>3685.557</b>	<b>3685.563</b>
7	30.36	27.36	-	25.22	<b>3685.551</b>	<b>3685.558</b>	<b>3685.564</b>
8	40.52	37.52	-	30.30	<b>3685.552</b>	<b>3685.559</b>	<b>3685.566</b>
10	50.68	47.68	40.46	25.22	<b>3685.553</b>	<b>3685.560</b>	<b>3685.567</b>
12	60.84	57.84	50.62	30.30	<b>3685.554</b>	<b>3685.561</b>	<b>3685.568</b>
L1 mm					97.00	230.35	363.70
L2 mm					90.00	223.35	356.70

## Type III extractor handle



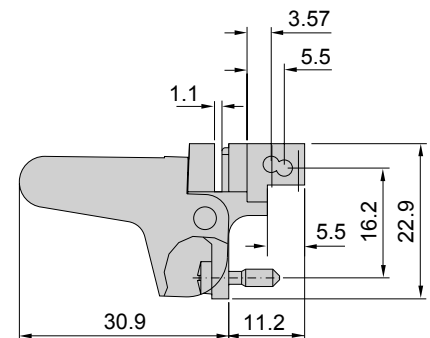
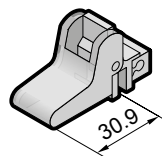
### Material

Fibreglass-reinforced polycarbonate  
Base section nickel-plated ABS

### Colour

Grey

HP	Packs of	Order No.
3	1	<b>3685.591</b>
4	1	<b>3685.592</b>



## Covers for panel end spaces for type III extractor handle



### Material

Fibreglass-reinforced polycarbonate

HP	Width mm	Packs of	Order No.
1	5	1	<b>3687.529</b>
2	10.08	1	<b>3687.530</b>
4	20.24	1	<b>3687.531</b>