

U-channel front panels as filler panels

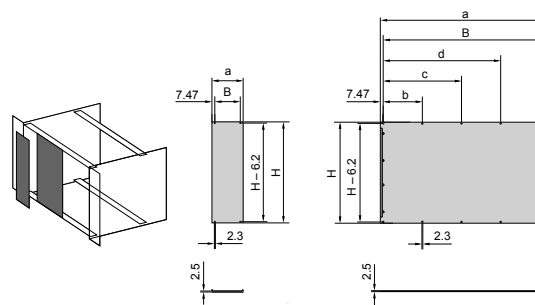


Material

2,5 mm extruded aluminium section
Clear-chromated

Supply includes

1 front panel, one-piece
(with 2 – 14 HP version) or three-piece
(with > 14 HP version)
1 vertical EMC gasket, version 1
1 contact strip (three-piece only)
1 gasket strip (three-piece only)



EMC

+ Also required

Slotted centering screws
packs of 100, order no. 3687.050
see page 203
Cross-head centering screws
packs of 100, order no. 3687.051
see page 203

HP	a mm	B mm	b mm	c mm	d mm	Order No.						
						1 U H = 39.8	2 U H = 84.25	3 U H = 128.7	4 U H = 173.15	6 U H = 262.05	7 U H = 306.5	9 U H = 395.4
2	9.8	-	-	-	-	-	-	3685.177	-	3685.185	-	3685.193
3	14.9	-	-	-	-	-	-	3686.138	-	3686.139	-	3686.140
4	20.0	-	-	-	-	-	-	3685.178	-	3685.186	-	3685.194
5	25.1	-	-	-	-	-	-	3685.179	-	3685.187	-	-
6	30.1	-	-	-	-	-	-	3685.180	-	3685.188	-	-
7	35.2	-	-	-	-	-	-	3685.181	-	3685.189	-	-
8	40.3	25.4	-	-	-	-	-	3685.182	-	3685.190	-	3685.195
10	50.5	35.6	-	-	-	-	-	3685.183	-	3685.191	-	-
12	60.6	45.7	-	-	-	-	-	3685.184	-	3685.192	-	3685.196
14	70.8	55.9	-	-	-	-	-	3684.249	-	3684.258	-	3684.278
16	80.9	66.0	-	-	-	-	-	3685.348	-	3685.349	-	-
20	101.3	86.4	-	-	-	-	-	3684.250	-	3684.259	-	3684.279
21	106.4	91.4	-	-	-	-	-	3684.272	-	3684.275	-	-
28	141.9	127.0	61.0	-	-	-	-	3684.251	-	3684.260	-	-
40	202.9	188.0	91.5	-	-	-	-	3684.273	-	3684.276	-	3684.280
42	213.0	198.1	96.5	-	-	-	-	3684.252	3684.255	3684.261	3684.264	3684.267
60	304.5	289.6	96.5	193.0	-	-	-	3684.274	-	3684.277	-	-
63	319.7	304.8	101.6	203.2	-	-	-	3684.253	3684.256	3684.262	3684.265	3684.268
84	426.4	411.5	101.6	203.2	304.8	3684.247	3684.248	3684.254	3684.257	3684.263	3684.266	3684.269