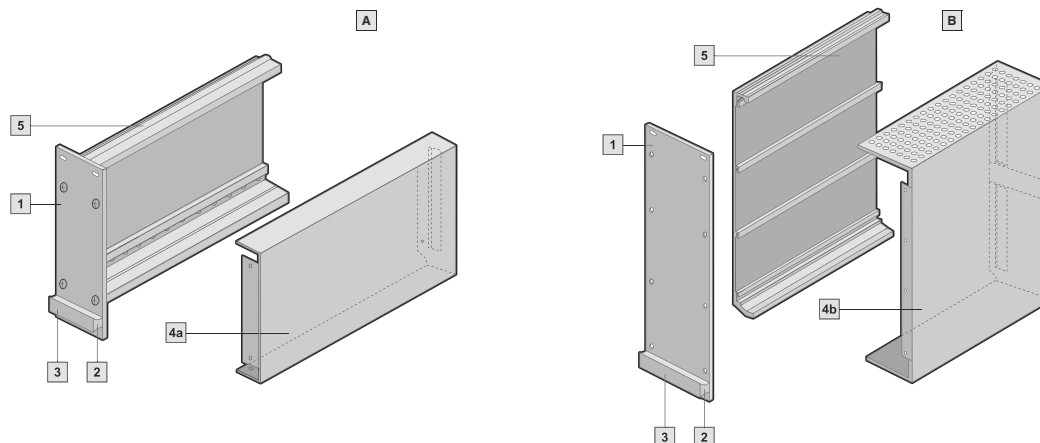


HeiPac box-type plug-in units – individual components



HeiPac box-type plug-in units, types V and VI in 3 U and 6 U, in individual components

Type V with cover (unvented)/type VI with cover (vented)

| Box-type plug-in units, individual components | A Type I | B Type II | Packs of | 6 HP | 7 HP | 8 HP | 10 HP | 12 HP | 14 HP | Page |
|---|-------------|--------------|----------|------|------|------|-------|-------|-------|------|
|---|-------------|--------------|----------|------|------|------|-------|-------|-------|------|

Front panels of 2.5 mm aluminium, anodised surface finish

| | | | | | | | | | | |
|-----------|---|---|---|----------|----------|----------|----------|----------|----------|---|
| 1 for 3 U | • | • | 1 | 3685.768 | 3685.628 | 3685.769 | 3685.629 | 3685.630 | 3685.631 | - |
| for 6 U | • | • | 1 | 3685.766 | 3685.632 | 3685.767 | 3685.633 | 3685.634 | 3685.635 | - |

Handle type V

| | | | | | | | | | | |
|---|---|---|---|----------|----------|----------|----------|----------|----------|-----|
| 2 of aluminium, anodised surface finish | • | • | 1 | 3685.598 | 3685.599 | 3685.600 | 3685.601 | 3685.602 | 3685.603 | 176 |
| of plastic | • | • | 1 | - | - | 3685.492 | - | 3685.493 | - | 176 |

Identification strips for 3 U

| | | | | | | | | | | |
|--|---|---|---|----------|----------|----------|----------|----------|----------|-----|
| 3 of 0.5 mm aluminium, anodised surface finish | • | • | 1 | 3685.749 | 3685.750 | 3685.751 | 3685.752 | 3685.753 | 3685.754 | 177 |
|--|---|---|---|----------|----------|----------|----------|----------|----------|-----|

Cover 4a 4b of 1 mm aluminium, clear-chromated surface finish

| | | | | | | | | | | |
|--|---|---|---|----------|----------|----------|----------|----------|----------|---|
| 4a unvented, 3 U, for board depth 160 mm | • | - | 1 | 3685.774 | 3685.658 | 3685.776 | 3685.659 | 3685.660 | 3685.661 | - |
| unvented, 3 U, for board depth 220 mm | • | - | 1 | 3685.775 | 3685.674 | 3685.777 | 3685.675 | 3685.676 | 3685.677 | - |
| unvented, 6 U, for board depth 160 mm | • | - | 1 | 3685.717 | 3685.662 | 3685.764 | 3685.663 | 3685.664 | 3685.665 | - |
| unvented, 6 U, for board depth 220 mm | • | - | 1 | 3685.718 | 3685.678 | 3685.765 | 3685.679 | 3685.680 | 3685.681 | - |
| 4b vented, 3 U, for board depth 160 mm | - | • | 1 | 3685.770 | 3685.650 | 3685.772 | 3685.651 | 3685.652 | 3685.653 | - |
| vented, 3 U, for board depth 220 mm | - | • | 1 | 3685.771 | 3685.666 | 3685.773 | 3685.667 | 3685.668 | 3685.669 | - |
| vented, 6 U, for board depth 160 mm | - | • | 1 | 3685.713 | 3685.654 | 3685.715 | 3685.655 | 3685.656 | 3685.657 | - |
| vented, 6 U, for board depth 220 mm | - | • | 1 | 3685.714 | 3685.670 | 3685.716 | 3685.671 | 3685.672 | 3685.673 | - |

Side panel of extruded aluminium section, anodised surface finish

| | | | | | | | | | | |
|-------------------------------|---|---|---|--|--|--|----------|--|--|---|
| 5 3 U, for board depth 160 mm | • | • | 1 | | | | 3685.645 | | | - |
| 6 U, for board depth 160 mm | • | • | 1 | | | | 3685.648 | | | - |
| 3 U, for board depth 220 mm | • | • | 1 | | | | 3685.646 | | | - |
| 6 U, for board depth 220 mm | • | • | 1 | | | | 3685.649 | | | - |

Assembly parts for box-type plug-in unit types I, II, V, VI

| Description | for installation of: | Packs of | Order. No. | |
|---|--|----------|------------|-----|
| Assembly kit for box-type plug-in unit I/II, 3 U | Box-type plug-in units, type I/II, 3 U | 1 set | 3687.589 | - |
| Assembly kit for box-type plug-in unit I/II, 6 U | Box-type plug-in units, type I/II, 6 U | 1 set | 3687.590 | - |
| Assembly kit for box-type plug-in unit type V/VI | Box-type plug-in units, type V/VI | 1 set | 3685.294 | - |
| Assembly kit for box-type plug-in unit with EMC front panel | Box-type plug-in unit with EMC front panel | 1 set | 3687.591 | - |
| Assembly kit for plastic handles | Plastic handles on box-type plug-in units | 1 set | 3687.519 | 202 |

Guide rails for box-type plug-in units, see page 158

For more screws, see page 202