

# COMPONENTS AND ACCESSORIES

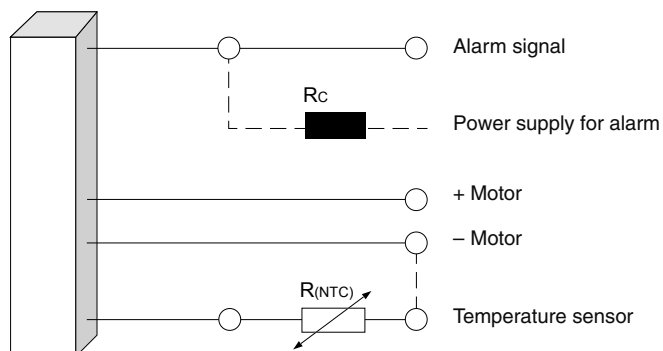
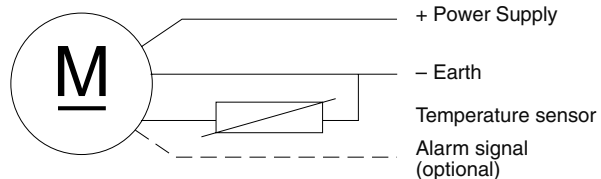
## CLIMATE CONTROL

### Temperature sensor



For DC fans 12/24 V with speed control

Voltage	Packs of	Order No.
12 V/24 V (DC)	1	<b>3686.657</b>



### Finger guard



For AC fans and DC fans

**Material**

Polyamide  
Self-extinguishing to UL 94-V0

**Colour**

Black

For fans mm	Packs of	Order No.
80	1	<b>3686.656</b>
120	1	<b>3686.655</b>