

SUBRACKS

HeiPac Vario

HeiPac Vario 4 U, 7 U



Material/surface finish

Side panels: 2.5 mm aluminium, clear-chromated
 Horizontal rails: Extruded aluminium section, clear-chromated
 19" flanges: Extruded aluminium section, clear-chromated

Supply includes

Flanges, side panels, horizontal rails, threaded inserts, insulating strips or Z rails.

Tests

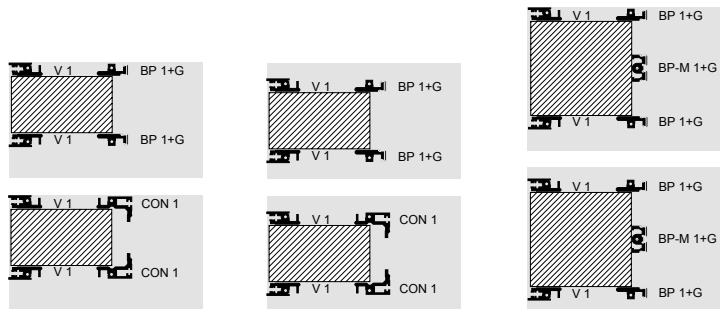
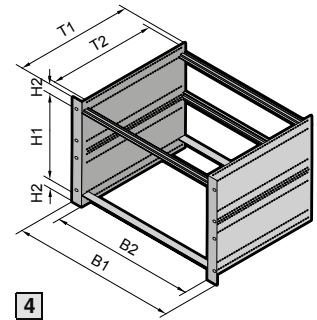
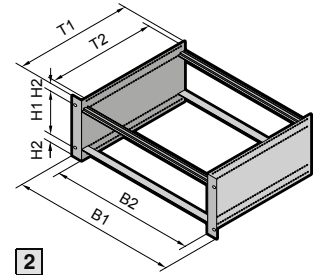
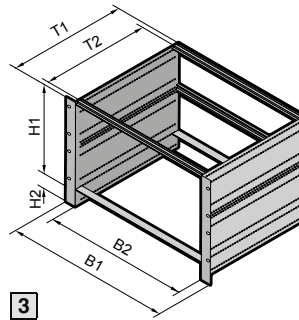
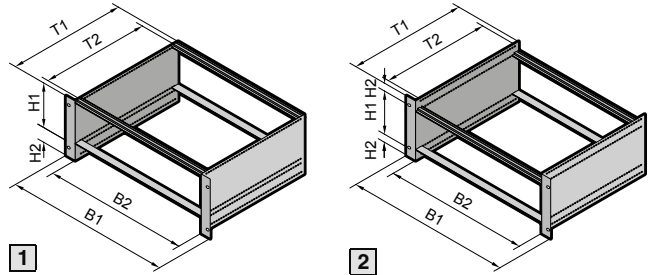
Shock and vibration tested to:
 IEC 600-68-2-6 test Fc
 IEC 600-68-2-6 test Ea

Standards

HeiPac subracks are based on the system dimensions of IEC 60 297-3

Note

Upgradeable to EMC



1 Top: for backplane
Bottom: for connector

2 Top: for backplane
Bottom: for connector

3 Top: for backplane
(6 U + 1 U)

4 Bottom: for backplane
(6 U + 2 x 1/2 U)

					Order No.					
					1		2		3	4
U (H1 + H2)					4 (3 + 1)	4 (3 + 1)	4 (3 + 2 x 1/2)	4 (3 + 2 x 1/2)	7 (6 + 1)	7 (6 + 2 x 1/2)
B1 mm	B2 HP	Side panel (T1) mm	T2 mm	Max. PCB depth mm	For backplane	For connector IEC 60 603-2	For backplane	For connector IEC 60 603-2	For backplane	For backplane
482.6 (19")	84	245	220	220	3685.235	-	-	-	-	-
		285	260	220	3684.028	3684.037	3684.031	3684.040	-	-
		305	280	280	3685.236	-	-	-	-	-
		345	320	280	3684.029	3684.038	3684.032	3684.041	-	-
		365	340	340	3685.237	-	-	-	-	-
		405	380	340	3684.030	3684.039	3684.033	3684.042	3684.064	3684.062
		465	440	400	-	-	-	3684.065	3684.063	

Other customised subrack solutions are available upon request. Please get in contact with one of our sales representatives for further assistance: Tel. +49 9126 - 29 34 0