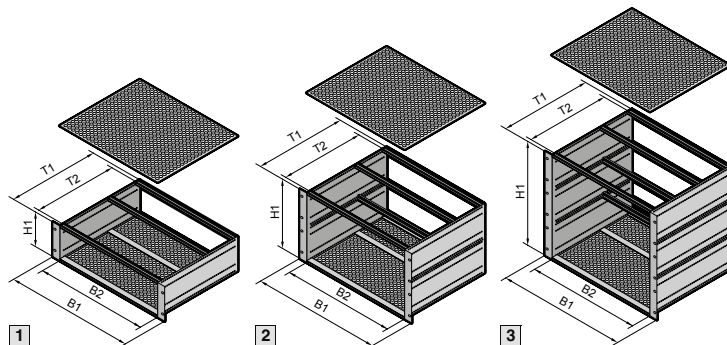


HeiPac Vario EMC 3 U, 6 U, 9 U



EMC

Material/surface finish

Side panels: 2.5 mm aluminium, clear-chromated
Horizontal rails: Extruded aluminium section, clear-chromated
19" flanges: Extruded aluminium section, clear-chromated
Covers: Aluminium, unplated

Supply includes

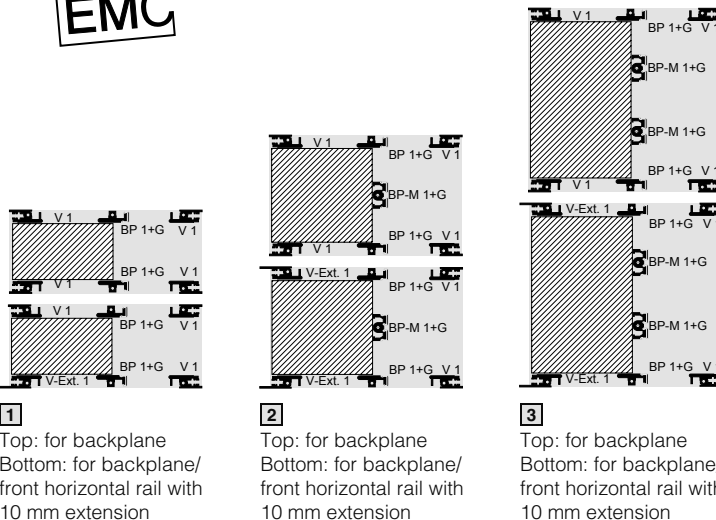
Flanges, rear trim, side panels, EMC gaskets, covers, mounting blocks, horizontal rails, threaded inserts, insulating strips

Tests

Shock and vibration tested to:
IEC 600-68-2-6 test Fc
IEC 600-68-2-27 test Ea

Standards

HeiPac subracks are based on the system dimensions of IEC 60 297-3



					Order No.					
					1		2		3	
U					3		6		9	
Height (H1) mm					132		265.35		398.70	
B1 mm	B2 HP	Side panel (T1) mm	T2 mm	Max. PCB depth mm	For backplane	For backplane ¹⁾	For backplane	For backplane ¹⁾	For backplane	For backplane ¹⁾
482.6 (19")	84	245	220	160	3684.128	3684.142	3684.156	3684.169	-	-
		285	260	220	3684.129	3684.143	3684.157	3684.170	-	-
		305	280	220	3685.241	3685.243	3685.242	3685.244	-	-
		345	320	280	3684.130	3684.144	3684.158	3684.171	3684.162	3684.175
		405	380	340	3684.131	3684.145	3684.159	3684.172	3684.163	3684.176
		465	440	400	3684.132	3684.146	3684.160	3684.173	3684.164	3684.177
		525	500	400	3684.133	3684.147	3684.161	3684.174	3684.165	3684.178
		585	560	400	-	-	-	-	3684.166	3684.179

¹⁾ Front horizontal rails with 10 mm extension for injector/extractor handles

Other customised subrack solutions are available upon request. Please get in contact with one of our sales representatives for further assistance: Tel. +49 9126 - 29 34 0