

HeiPac Vario ECO 3 U, 6 U, sheet steel



**Material/surface finish**

Side panels: 1.5 mm sheet steel, zinc-plated  
 Horizontal rails: Extruded aluminium section, clear-chromated  
 Flanges: Extruded aluminium section, clear-chromated

**Supply includes**

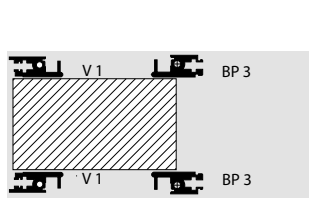
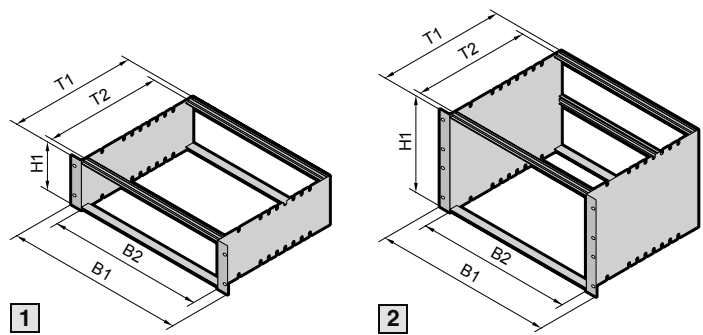
Side panels, flanges, horizontal rails, threaded inserts, assembly screws

**Tests**

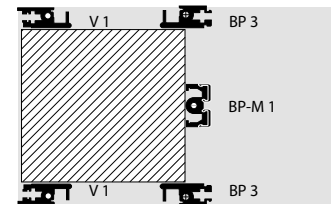
Shock and vibration tested to:  
 IEC 600-68-2-6 Prüfung Fc  
 IEC 600-68-2-27 Prüfung Ea

**Standards**

HeiPac subracks are based on the system dimensions of IEC 60 297-3.



**1** for backplane



**2** for backplane

					Order No.	
					<b>1</b>	<b>2</b>
<b>U (H1)</b>					<b>3</b>	<b>6</b>
B1 mm	B2 HP	Side panel (T1) mm	T2 mm	Max. PCB depth mm	For backplane	For backplane
482.6 (19")	84	175	150	160	<b>3688.114</b>	<b>3688.116</b>
		235	210	220	<b>3688.115</b>	<b>3688.117</b>

Other customised subrack solutions are available upon request. Please get in contact with one of our sales representatives for further assistance: Tel. +49 9126 - 29 34 0