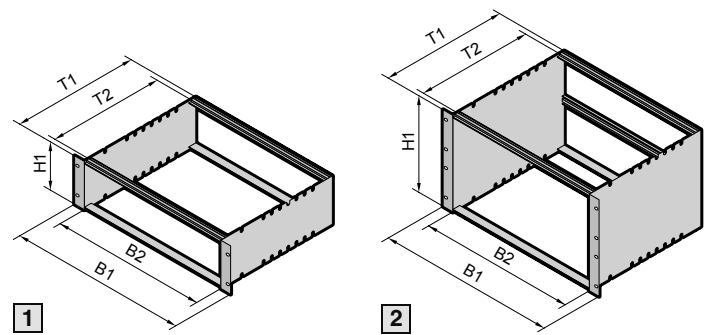


HeiPac EASY 3 U, 6 U, Aluminium



Material/surface finish

Side panels: 2 mm aluminium, unplated
 Horizontal rails: extruded aluminium section, noncorrosive
 Flanges: pre-anodised

Supply includes

Side panels, flanges, horizontal rails incl. pre-mounted threaded inserts and assembly screws

Tests

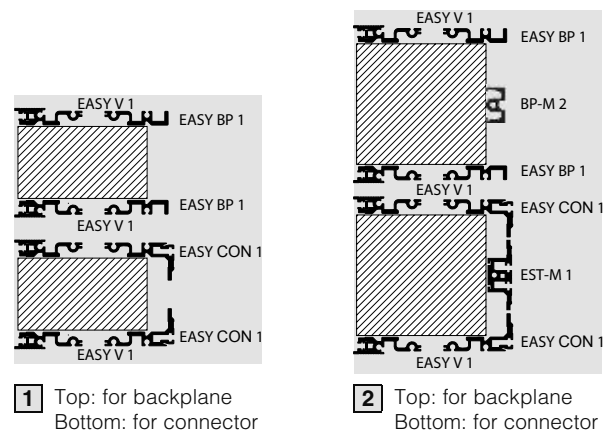
Shock- and vibration tested to:
 IEC 600-68-2-6 test Fc
 IEC 600-68-2-27 test Ea

Standards

HeiPac subracks are based on the system dimensions of IEC 60 297-3

Note

Backplanes can be mounted directly on the rear horizontal rails. Isolating strips cannot be used.



					Order No.			
					1		2	
U (H1)					3	6		
B1 mm	B2 HP	Side panel (T1) mm	T2 mm	Max. PCB depth mm	For backplane	For connector IEC 60 603-2	For backplane	For connector IEC 60 603-2
482.6 (19")	84	175	160	160	3634.100	3634.150	3634.180	3634.230
		235	220	220	3634.110	3634.160	3634.190	3634.240
		295	280	280	3634.120	3634.170	3634.200	3634.250
		355	340	340	3634.130	-	3634.210	-
		415	400	400	3634.140	-	3634.220	-

Other customised subrack solutions are available upon request. Please get in contact with one of our sales representatives for further assistance: Tel. +49 9126 - 29 34 0