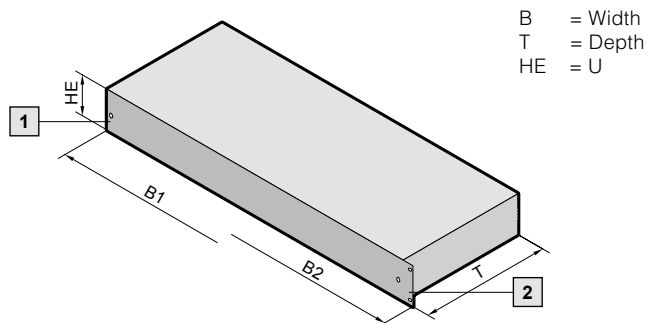
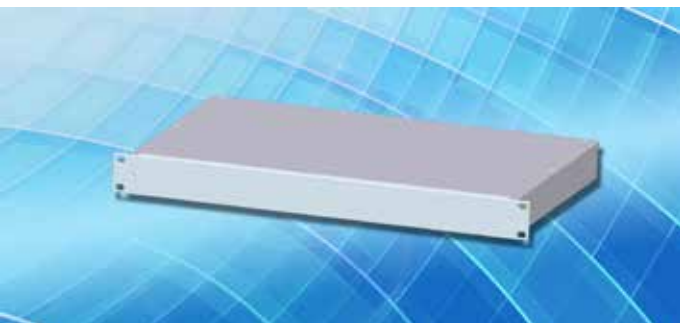


### HeiBox ECO system enclosure 1 U



#### Technical specifications

System enclosures 1 HE, 150, 200, 250, 300, 350 mm deep. Easy to assemble with just 4 components. Optionally for use as an instrument case or 19" rack-mount enclosure. Maximum interior space. Optional EMC upgrades with additional EMC gaskets.

#### Design

System enclosure 1 U, to IEC 60 297-3. Optionally available for 19" rack-mounting in the enclosure or as an instrument case version on customer request.

- 1** Equipped as an instrument case
- 2** Equipped as a rack-mount unit

#### Material/surface finish

Base tray: sheet steel  
 Front/rear panel: Extruded aluminium section, clear-chromated  
 Cover: sheet steel

#### Note

Upon request, the HeiBox ECO is also available as 2 U version as well as instrument case with individual spray finish.

NEW

U	1	1	1	1	1
<b>Width (B1) mm</b>	447	447	447	447	447
<b>Width (B2) mm</b>	482.6 (19")	482.6 (19")	482.6 (19")	482.6 (19")	482.6 (19")
<b>Depth (T) mm</b>	150	200	250	300	350
<b>Model No. rack-mount unit</b>	<b>9919.795</b>	<b>9919.796</b>	<b>9919.797</b>	<b>9919.798</b>	<b>9919.799</b>
<b>Supply includes</b>					
Cover	1	1	1	1	1
Front panel	1	1	1	1	1
Rear panel	1	1	1	1	1
Base tray	1	1	1	1	1
<b>Accessories</b>					
EMC set	<b>9919.800</b>	<b>9919.800</b>	<b>9919.800</b>	<b>9919.800</b>	<b>9919.800</b>

Other customised solutions regarding dimensions and coloring are available upon request. Please get in contact with one of our sales representatives for further assistance: Tel. +49 9126 - 29 34 0