

Features

- 21.5" New Generation Stainless Steel Panel PC
- 11th Gen. Intel Core i3/i5 BGA type Processor
- True Flat Front Bezel Design and Grade 304 Stainless Steel Enclosure (Grade 316 for Option)
- IP66/IP69K Rated with M12 Connectors
- Ultra Slim Front Frame Design
- Special Hygienic Bolts on Rear Case
- Waterproof Wireless Antenna Covers to Solve the Bend Damage and Easy to Clean
- Support Ergonomic Versatile Mounting:
VESA Mount 100 x 100 / Floor Stand / Swing ARM

Specifications

System	
CPU	Onboard 11th Gen. Intel Core i3/i5 Processor Core i5-1145G7E (Quad Core, 8 MB cache, 1.50 GHz) Core i3-1115G4E (Dual Core, 6 MB cache, 2.20 GHz)
System Chipset	SoC
Memory	2 x 260-pin SO-DIMM up to 64GB DDR4 3200MHz
TPM	TPM 2.0

IO Port	
USB	1 x M12 8-pin for 2 x USB 2.0 with waterproof cover
Serial / Parallel	1 x M12 8-pin COM1, RS-232/422/485, default RS-232, with waterproof cover
LAN	1 x M12 8-pin for LAN with waterproof cover
Power Connector	1 x M12 3-pin for DC power with waterproof cover 1 x Power switch on the rear
Option	2 x optional blank M12 connector with waterproof cover for selecting two from the following options: 2 x USB 2.0 1 x USB 3.0 1 x LAN 1 x COM

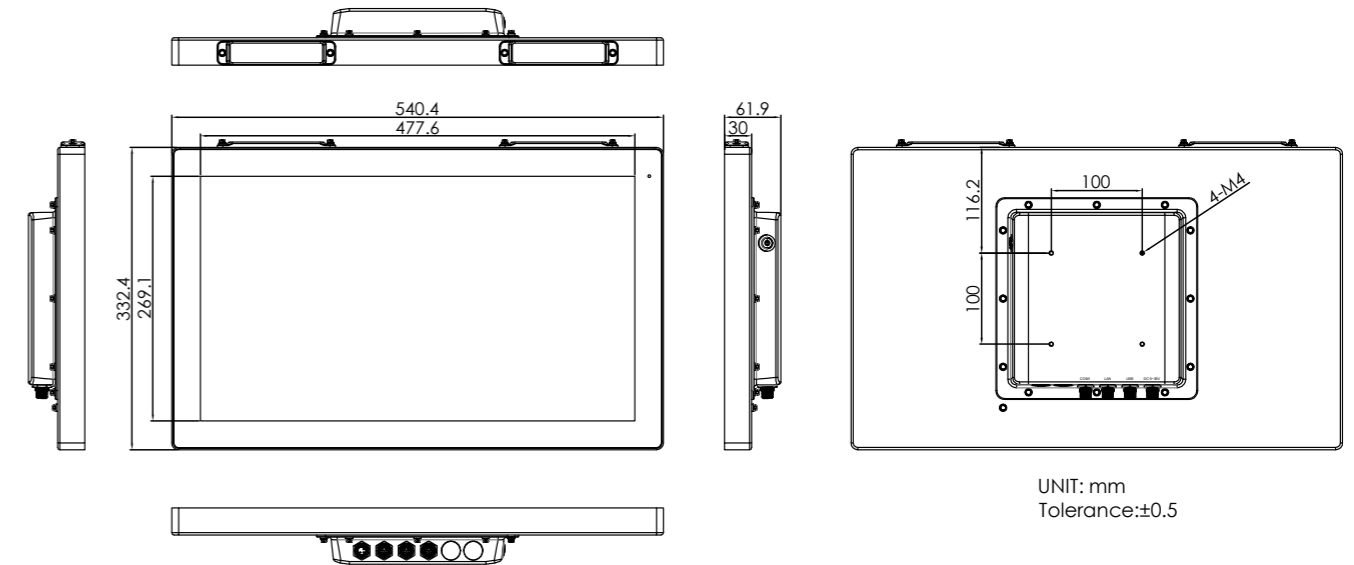
Storage Space	
M.2	1 x M-Key 2280 (PCIe) for SSD

Expansion	
Expansion slot	1 x Full size mPCIe/mSATA (mPCIe as default, select by BIOS) 1 x NANO-SIM 1 x M.2 E-key 2230 (PCIe+USB) for optional WIFI/BT module
RFID module	RFID module design on the front side (for option)

Display	Standard	High Brightness Optional
Display Type	21.5" TFT-LCD	21.5" TFT-LCD
Max. Resolution	1920 x 1080	1920 x 1080
Max. Color	16.7M	16.7M
Luminance (cd/m ²)	250	1000
View Angle	178(H)/178(V)	178(H)/178(V)
Contrast	1000:1	1000:1
Backlight Lifetime	50,000 hrs	50,000 hrs

Touch Screen	
Type	Projected Capacitive Touch
Interface	USB
Light Transmission(%)	90%

Dimensions



Power	
Power Input	DC 9~36V
Power Consumption	PhanTAM-921CP: 36W

Mechanical	
Construction	304 Stainless Steel Chassis (default), 316 Stainless Steel Chassis (optional)
Mounting	VESA Mount 100 x 100, Floor Stand / Swing ARM (optional)
IP Rating	Total IP66/IP69K
Dimensions	540.4 x 332.4 x 61.9 mm
Net Weight	7.9 kg

Environmental	
Operating Temperature	0~50°C
Storage Temperature	-30~70°C
Humidity	10 to 90% @ 40°C, non-condensing
Certificate	CE/FCC Class A

Operating System Support	
Windows 10 IoT ENT LTSP, Windows 11	

Ordering Information	
PhanTAM-921CP	21.5" FHD IP66/IP69K stainless steel panel pc, Intel 11th Gen. Core i Processor, 2 x SO-DIMM DDR4 slots, 128GB TLC SSD, projected capacitive touch, 9~36V DC power input with Adapter
PhanTAM-921CPH	21.5" FHD IP66/IP69K stainless steel panel pc, Intel 11th Gen. Core i Processor, 2 x SO-DIMM DDR4 slots, 128GB TLC SSD, projected capacitive touch, 9~36V DC power input with Adapter, 1000 nits