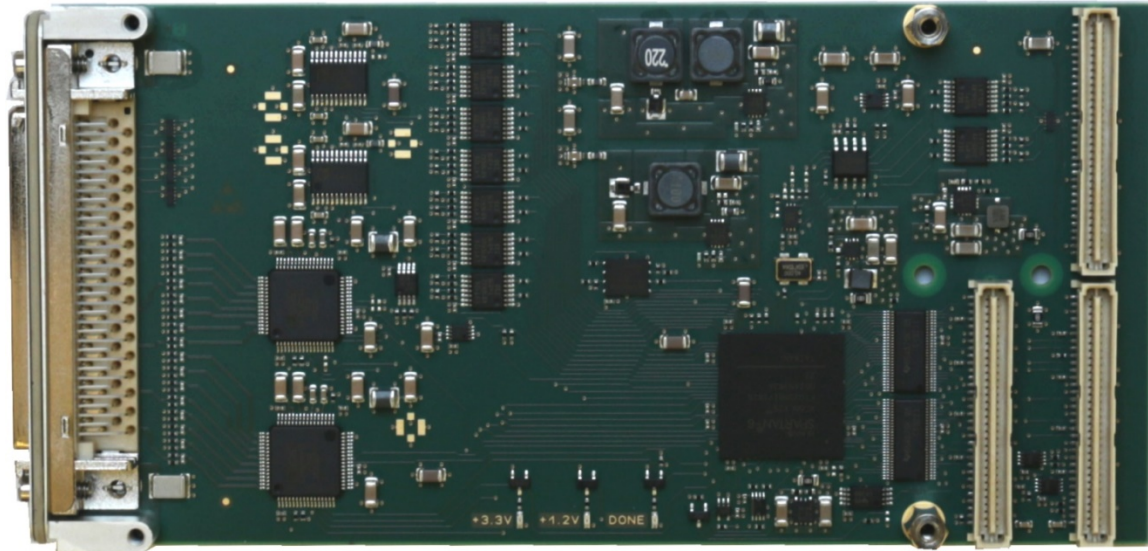


TPMC532 16x/8x ADC, 8x/4x DAC and 14x Digital I/O



Application Information

The TPMC532 is a standard single-wide PCI Mezzanine Card (PMC) compatible module providing 16 or 8 channels of simultaneous sampling true differential bipolar 16bit analog input, 8 or 4 channels of simultaneous update single-ended unipolar/bipolar 16bit analog output and 14 channels of tri-state 5V-tolerant TTL digital input/output. All signals are accessible through a Mini D Ribbon (MDR68) type front I/O connector.

The PMC-Connectors P11 and P12 provide access to the control logic via a 32bit 33MHz PCI link.

The ADCs offer true differential inputs with software selectable $\pm 5V$ and $\pm 10V$ bipolar input voltage ranges (one common setting for all eight channels of each ADC). The maximum sample rate of the ADCs is 200kSPS and they offer an oversampling capability with digital filter.

The DACs offer software selectable 0-5V, 0-10V, 0-10.8V, $\pm 5V$, $\pm 10V$ and $\pm 10.8V$ output voltage ranges (individual setting for each of the four channels of each DAC). The settling time is typically 10 μ s and the DAC channels are capable to drive a load of 2k Ω , with a capacitance up to 4000pF.

Each TPMC532 is factory calibrated. The correction data is stored in an on-board serial EEPROM unique to each PMC module. These correction values can be used to perform a hardware correction of every analog-to-digital and digital-to-analog conversion. Additionally, a

temperature sensor on-board can be used to compensate temperature dependent errors.

The TPMC532 provides two Sequencers, one for AD Conversions and another one for DA Conversions. To perform periodic simultaneous conversions the conversion rates are programmable and can be output to other modules on PMC Back I/O Connector P14 or Front I/O Connector DIO pins for synchronization purposes. The TPMC532 can also operate as a target which means that the conversion rates can be sourced from P14 or Front I/O, created by another module.

A Frame Trigger signal, which can also either be generated by the TPMC532 and output on P14/Front I/O or generated by other modules and input from P14/Front I/O, can be used to synchronize ADC frames and DAC frames.

The signals on PMC Back I/O Connector P14 are ESD protected and driven or read by tri-state 5V-tolerant TTL buffers.

To be able to collect ADC frames and to output DAC frames the TPMC532 provides input and output FIFOs. Data transfer on the PCI bus is handled by TPMC532 initiated block transfer mode DMA cycles with minimum host/CPU intervention.

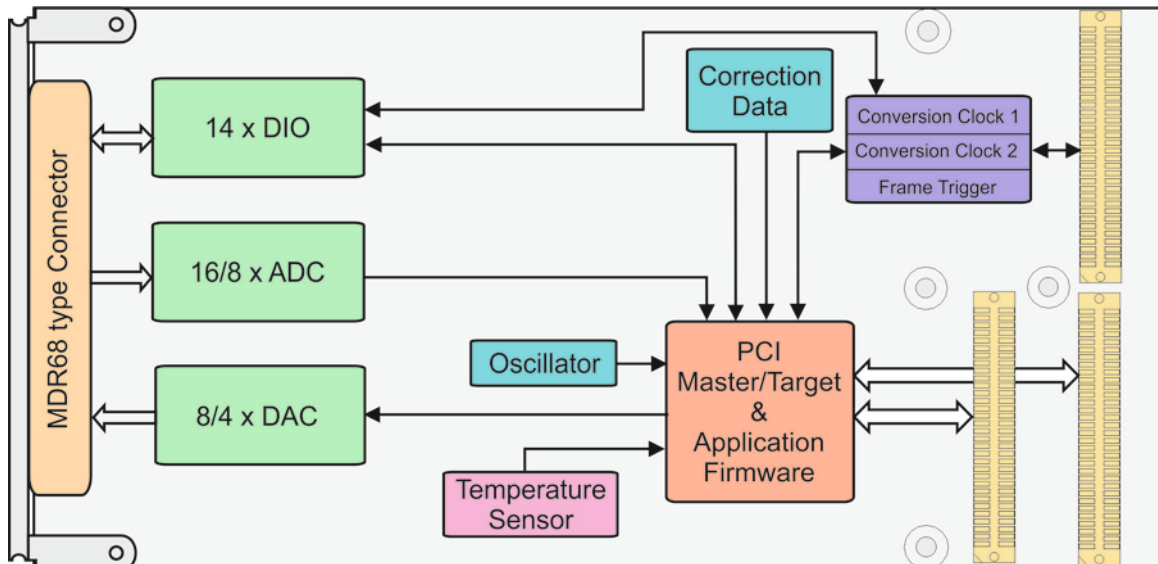
The Embedded I/O Company

The 14 Digital TTL tri-state I/O lines with 4.7kΩ pull resistors are ESD protected. The voltage, the pull resistors are connected to, is programmable by software and can be 3.3V, 5V, GND or floating level (one common setting for all fourteen Digital I/Os).

All 14 DIOs can be programmed whether to have their Digital I/O transmitters enabled or disabled individually per I/O line. The Digital I/O receivers are always enabled, so each DIO level can always be monitored and can generate an interrupt, triggered on rising edge, falling edge or both. Additionally, a debounce filter can be configured to get rid of bounce on the Digital I/O lines.

Technical Information

- Standard single-wide PCI Mezzanine Card (PMC)
 - conforming to IEEE P1386/P1386.1
 - Board size: 149mm x 74mm
 - 32bit / 33MHz PCI
 - DMA Master functionality
- 16 or 8 channels of simultaneous sampling true differential bipolar 16bit analog input
 - Input voltage ranges: ±5V and ±10V
 - Maximum sample rate: 200kSPS
 - Oversampling capability
- 8 or 4 channels of simultaneous update single-ended unipolar/bipolar 16bit analog output
 - Output voltage ranges: 0-5V, 0-10V, 0-10.8V, ±5V, ±10V and ±10.8V
 - Settling time: typ. 10μs
 - load of 2kΩ with a capacitance up to 4000pF
- Hardware Correction
 - Factory calibrated
- Temperature Sensor on-board
- Programmable conversion rates
 - Can be output to other modules
 - Can be input from other modules
- Frame Trigger signal for synchronization purposes
- 14 channels of tri-state 5V-tolerant TTL digital input/output
 - ESD protection
- Mini D Ribbon (MDR68) type front I/O connector
- Operating temperature: -40°C to +85°C
- MTBF (MIL-HDBK217F/FN2 G_B 20°C)
 - TPMC532-10R: 511000 h
 - TPMC532-20R: 526000 h



TPMC532 Block Diagram

Order Information

RoHS Compliant

TPMC532-10R	16 Channels of Simultaneous Sampling Differential 16 bit A/D, 8 Channels of Simultaneous Update Single-Ended 16 bit D/A and 14 Channels of TTL Digital I/O, with MDR68 front panel I/O
TPMC532-20R	8 Channels of Simultaneous Sampling Differential 16 bit A/D, 4 Channels of Simultaneous Update Single-Ended 16 bit D/A and 14 Channels of TTL Digital I/O, with MDR68 front panel I/O

For the availability of non-RoHS compliant (lead solder) products please contact TEWS.

Documentation

TPMC532-DOC	User Manual
--------------------	-------------

Software

TDRV019-SW-25	Integrity Software Support
TDRV019-SW-42	VxWorks Software Support (Legacy and VxBus-Enabled Software Support)
TDRV019-SW-65	Windows Software Support
TDRV019-SW-82	Linux Software Support
TDRV019-SW-95	QNX Software Support

For other operating systems please contact TEWS.

Related Products

TA113	MDR68 Cable
TA207	MDR68 Terminal Block
TA312	Cable Kit for Modules with MDR68 Connector