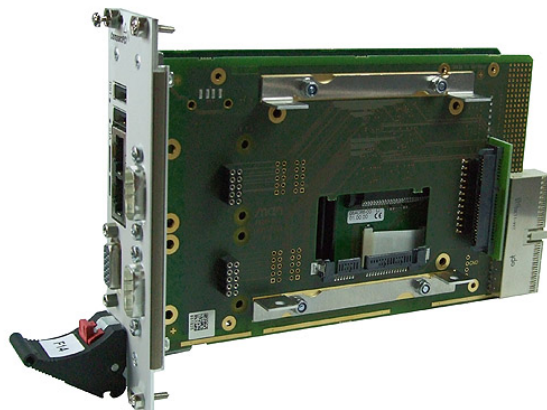


# F600 – 3U CompactPCI® Side Card for SATA/ Legacy I/O

- 4 HP extension for 3U Intel® SBCs F14, F15, F17, F18, F19P, F21P
- 1-4 COMs via SA-Adapters
- Optical isolation depending on SA-Adapter
- 2.5" SATA hard-disk slot
- Additional SATA port for external device
- -40 to +85°C screened



The F600 is a 4HP legacy I/O extension card for 3U Intel® based CompactPCI® single-board computers. It can be used in combination with the F14 and [compatible CPU boards](#).

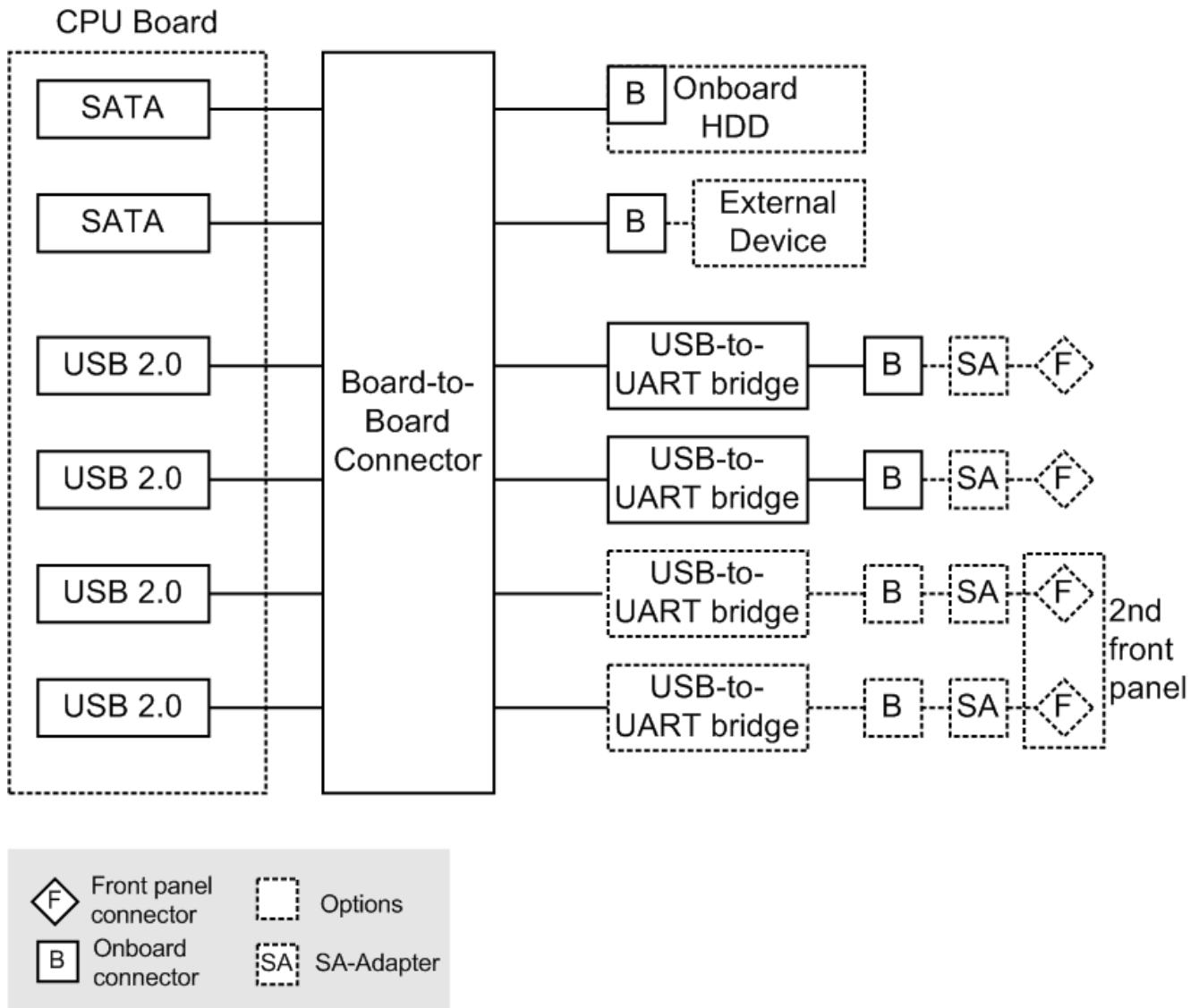
Modern Intel® based boards increasingly support USB interfaces as an exclusive universal connection of devices such as keyboard, mouse, CD-ROM, floppy etc. Especially in industrial applications however many existing systems still use COM interfaces.

The F600 provides SA-Adapter slots for up to four additional COMs, two at the front panel and two on

board. Since SA-Adapters provide the physical layers, the F600 can be configured flexibly with a combination of RS232, RS422 or RS485 interfaces, alternatively isolated or not isolated. In addition an onboard 2.5" SATA hard-disk slot can be used on the standard version of the F600, which comes with two COM interfaces.

The F600 is directly plugged to the right side of the respective single-board computer. A robust connector makes for high mechanical stability. It is delivered with an 8HP front panel, replacing the 4HP front panel of a 3U single-board computer and thus resulting in a solid one-piece front panel.

# Diagram



## Technical Data

<b>I/O</b>	<ul style="list-style-type: none"> <li>■ Up to four UARTs             <ul style="list-style-type: none"> <li>□ From four CPU-controlled USB channels</li> <li>□ Two at front panel</li> <li>□ Two on board, instead of onboard SATA device, on request</li> <li>□ Physical interface using SA-Adapters via 10-pin connectors</li> <li>□ RS232..RS422, isolated or not: for free use in system (e. g. cable to front)</li> <li>□ Only full duplex operation for RS422</li> <li>□ Data rates up to 1 Mbit/s</li> <li>□ FIFO receive and transmit buffers for high data throughput</li> <li>□ Handshake lines: full support; lines depend on SA-Adapters</li> </ul> </li> </ul>
<b>Mass Storage</b>	<ul style="list-style-type: none"> <li>■ Serial ATA (SATA)             <ul style="list-style-type: none"> <li>□ One port for onboard 2.5" hard-disk drive</li> <li>□ One port for external device (e.g. SATA DVD Drive)</li> <li>□ Transfer rates up to 150MB/s (depends on hard disk)</li> <li>□ RAID level 0/1 support (depends on CPU board)</li> </ul> </li> </ul>
<b>Miscellaneous</b>	<ul style="list-style-type: none"> <li>■ CompactPCI® J1 and J2 are assembled for increased mechanical stability and/or for power supply via J1</li> </ul>
<b>Electrical Specifications</b>	<ul style="list-style-type: none"> <li>■ Supply voltage/power consumption:             <ul style="list-style-type: none"> <li>□ +5V (-3%/+5%), 21mA typ. (with two SA1 SA-Adapters, w/o hard disk)</li> <li>□ +3.3V (-3%/+5%), 50mA typ. (with two SA1 SA-Adapters, w/o hard disk)</li> </ul> </li> <li>■ MTBF: 1,663,000h @ 40°C (derived from MIL-HDBK-217F)</li> </ul>
<b>Mechanical Specifications</b>	<ul style="list-style-type: none"> <li>■ Dimensions: conforming to CompactPCI® specification for 3U boards</li> <li>■ Weight: 145g (w/o hard disk)</li> </ul>
<b>Environmental Specifications</b>	<ul style="list-style-type: none"> <li>■ Temperature range (operation):             <ul style="list-style-type: none"> <li>□ -40..+85°C (depending on hard disk; please refer to the hard disk specifications for possible limits)</li> <li>□ Airflow: min. 10m³/h</li> </ul> </li> <li>■ Temperature range (storage): -40..+85°C</li> <li>■ Relative humidity (operation): max. 95% non-condensing</li> <li>■ Relative humidity (storage): max. 95% non-condensing</li> <li>■ Altitude: -300m to + 3,000m</li> <li>■ Shock: 15g/11ms</li> <li>■ Bump: 10g/16ms</li> <li>■ Vibration (sinusoidal): 2g/10..150Hz</li> <li>■ Conformal coating on request</li> </ul>
<b>Safety</b>	<ul style="list-style-type: none"> <li>■ PCB manufactured with a flammability rating of 94V-0 by UL recognized manufacturers</li> </ul>
<b>EMC</b>	<ul style="list-style-type: none"> <li>■ Tested according to EN 55022 (radio disturbance), IEC1000-4-2 (ESD) and IEC1000-4-4 (burst)</li> </ul>
<b>Software Support</b>	<ul style="list-style-type: none"> <li>■ Driver software can be found in the data sheet of the CPU board that you use.</li> </ul>

## Configuration & Options

---

### Standard Configurations

Article No.	Interfaces	SA-Adapters	Mass Storage	Position	Operation Temperature
02F600-00	2 COMs	to be ordered separately	SATA HD slot	right of CPU	0..+60°C

### Options

<b>Mass storage</b>	<ul style="list-style-type: none"><li>■ CompactFlash® interface instead of SATA hard disk<ul style="list-style-type: none"><li>□ Via AD95 adapter</li></ul></li></ul>
<b>UARTs</b>	<ul style="list-style-type: none"><li>■ Two additional UARTs instead of onboard SATA hard disk</li><li>■ 1 to 4 COMs possible</li></ul>

Please note that some of these options may only be available for large volumes. Please ask our sales staff for more information.

## Ordering Information

<b>Standard F600 Models</b>	<b>02F600-00</b>	2 COM extensions and SATA hard disk slot, for F14 and compatible SBCs, -40..+85°C screened
<b>Memory</b>	<b>0751-0028</b>	CompactFlash® card, 2 GB, Type I, -40..+85°C, S.M.A.R.T. interface
	<b>0751-0060</b>	CompactFlash® card, 16 GB, -40..+85°C
<b>SA-Adapters</b>	You can find a more detailed overview of possible carrier board/SA-Adapter combinations along with software support in our <a href="#">option matrix (PDF)</a> .	
	<b>08SA01-00</b>	RS232, not optically isolated, 0..+60°C
	<b>08SA02-01</b>	RS422/485, full duplex, optically isolated, 0..+60°C
	<b>08SA02-07</b>	RS422/485, full duplex, optically isolated, -40..+85°C screened
	<b>08SA03-00</b>	1 RS232, optically isolated, 0..+60°C
	<b>08SA03-01</b>	1 RS232, optically isolated, -40..+85°C screened
	<b>08SA22-00</b>	IBIS master SA-Adapter, -40..+85°C screened
	<b>08SA22-01</b>	IBIS slave SA-Adapter, -40..+85°C screened
	<b>08SA25-00</b>	GPS receiver, isolated, -40..+85°C screened
	<b>08SA26-00</b>	RS422 with 15-pin D-Sub connector, with handshake signals (RTS, CTS, DCD, DTR), coated, -40..+85°C screened
<b>Miscellaneous Accessories</b>	<b>0710-0038</b>	HDD SATA 2.5", 100 GB, 1.5GB/s, 4200rpm, -10°..+70°C
<b>Software: Linux</b>	This product is designed to work under Linux. See below for all available separate software packages.	
	<b>13MD05-90</b>	MDISS System (and Device Driver) Package (MEN) for Linux. This software package includes most standard device drivers available from MEN.
For operating systems not mentioned here <a href="#">contact MEN sales</a> .		
<b>Documentation</b>	Compare Chart 3U CompactPCI® / PlusIO CPU cards » <a href="#">Download</a>	
	Compare Chart 3U CompactPCI® / PlusIO peripheral cards » <a href="#">Download</a>	
	Compare Chart 3U CompactPCI® / PlusIO extension cards » <a href="#">Download</a>	
	For more information on the interoperability of the side cards with the respective CPU boards please see the <a href="#">extension card compatibility matrix (PDF)</a>	
	<b>20F600-00</b>	F600 User Manual

## Contact Information

---

### Germany

MEN Mikro Elektronik GmbH  
Neuwieder Straße 3-7  
90411 Nuremberg  
Phone +49-911-99 33 5-0  
Fax +49-911-99 33 5-901

info@men.de  
www.men.de

### France

MEN Mikro Elektronik SAS  
18, rue René Cassin  
ZA de la Châtelaine  
74240 Gaillard  
Phone +33 (0) 450-955-312  
Fax +33 (0) 450-955-211

info@men-france.fr  
www.men-france.fr

### USA

MEN Micro Inc.  
860 Penllyn Blue Bell Pike  
Blue Bell, PA 19422  
Phone (215) 542-9575  
Fax (215) 542-9577

sales@menmicro.com  
www.menmicro.com

*The date of issue stated in this data sheet refers to the Technical Data only. Changes in ordering information given herein do not affect the date of issue. All brand or product names are trademarks or registered trademarks of their respective holders.*

*MEN is not responsible for the results of any actions taken on the basis of information in the publication, nor for any error in or omission from the publication.*

*MEN expressly disclaims all and any liability and responsibility to any person, whether a reader of the publication or not, in respect of anything, and of the consequences of anything, done or omitted to be done by any such person in reliance, whether wholly or partially, on the whole or any part of the contents of the publication.*

*The correct function of MEN products in mission-critical and life-critical applications is limited to the environmental specification given for each product in the technical user manual. The correct function of MEN products under extended environmental conditions is limited to the individual requirement specification and subsequent validation documents for each product for the applicable use case and has to be agreed upon in writing by MEN and the customer. Should the customer purchase or use MEN products for any unintended or unauthorized application, the customer shall indemnify and hold MEN and its officers, employees, subsidiaries, affiliates, and distributors harmless against all claims, costs, damages, and expenses, and reasonable attorney fees arising out of, directly or indirectly, any claim or personal injury or death associated with such unintended or unauthorized use, even if such claim alleges that MEN was negligent regarding the design or manufacture of the part.*

*In no case is MEN liable for the correct function of the technical installation where MEN products are a part of.*

Copyright © 2015 MEN Mikro Elektronik GmbH. All rights reserved.